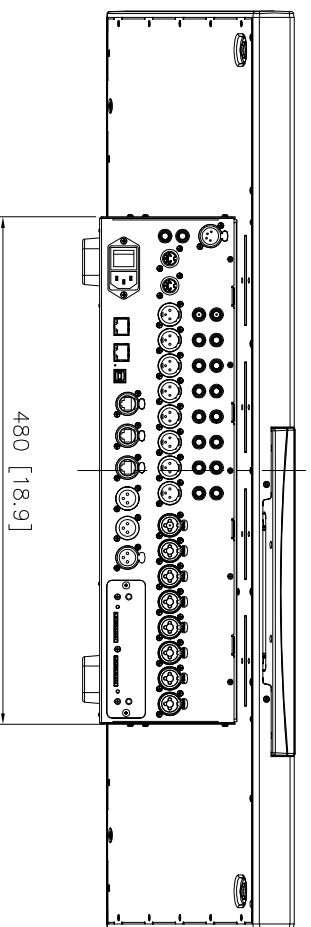
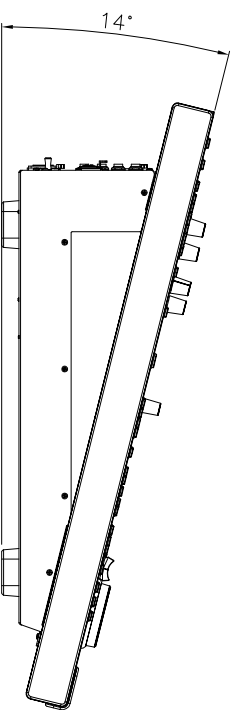
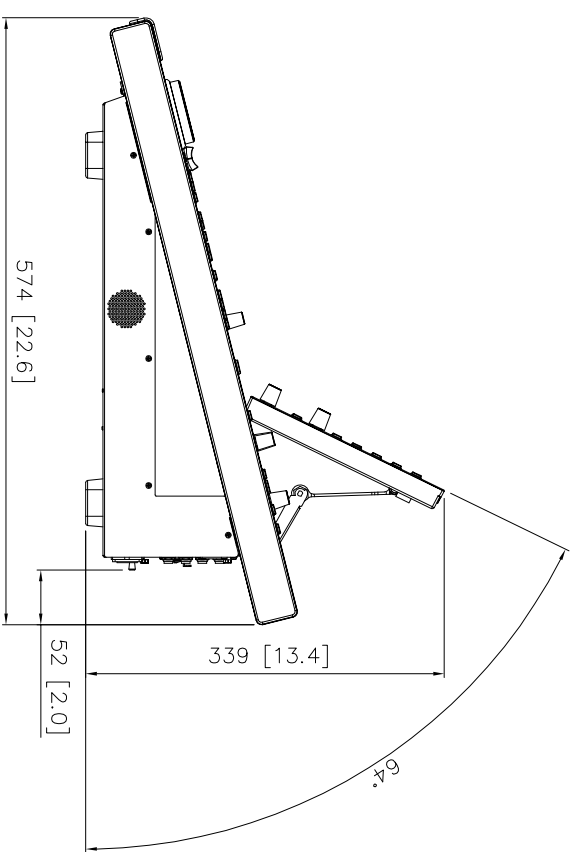
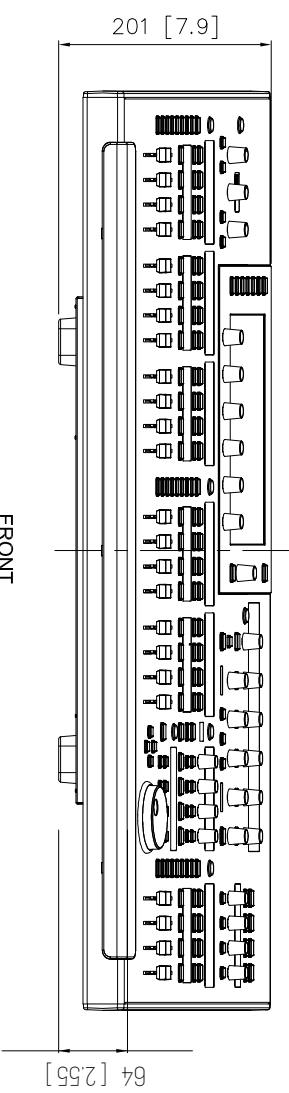
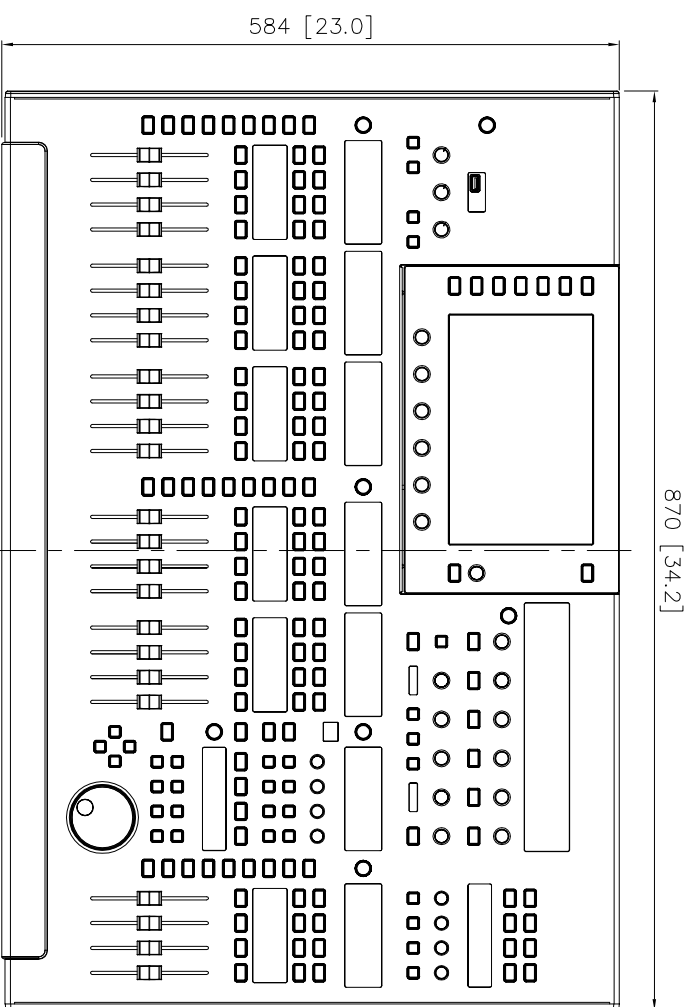


REVISION HISTORY			
REV	DESCRIPTION	DATE	REVISED
A0	DRAWING RELEASED	2019-10-08	



music TRIBE

THE INFRINGEMENT AND MARKS CONTAINED IN THIS DRAWING ARE THE SOLE PROPERTY OF MUSIC TRIBE WHICH SHALL NOT BE COPIED, REPRODUCED OR DISCLOSED WITHOUT WRITTEN PRIOR PERMISSION OF MUSIC TRIBE.

PROJECT: **EXTERNAL DIMENSIONS WING**

MATERIAL:

SURFACE FINISH: A3

SIZE: DRAWING NUMBER:

ALL DIMENSIONS IN XXXmm[X.Xin]

DO NOT SCALE DRAWING

SCALE 1:1

SHEET 1 OF 1