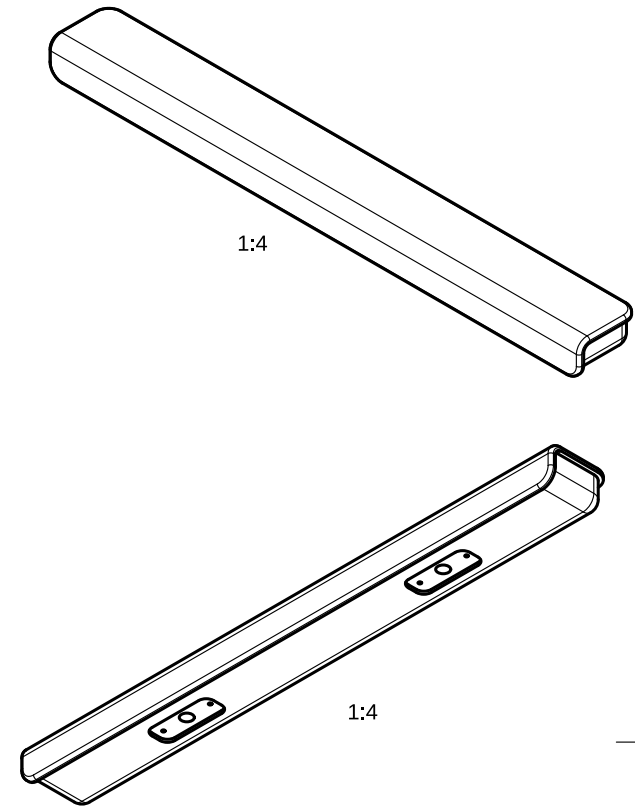
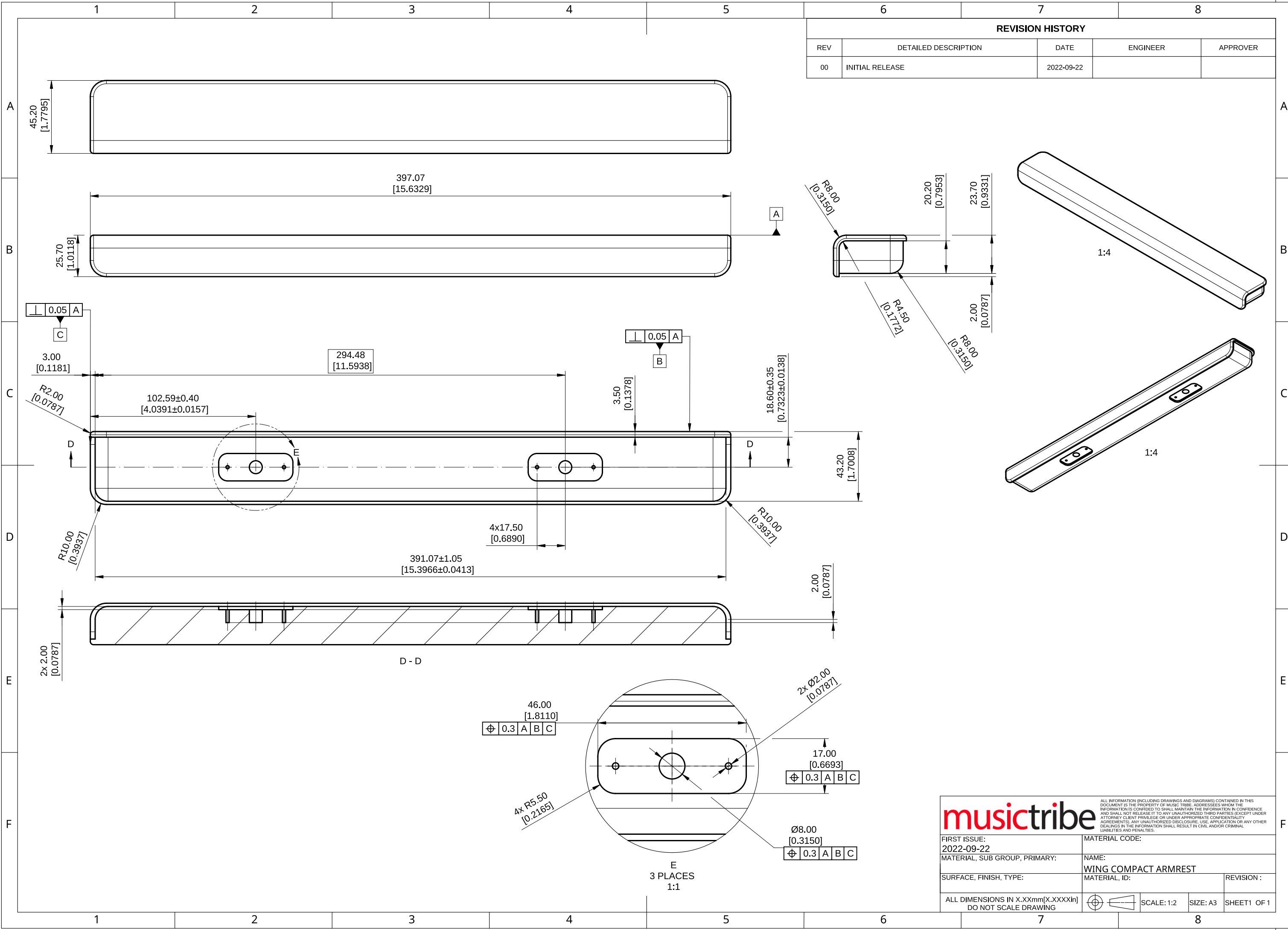


REVISION HISTORY				
REV	DETAILED DESCRIPTION	DATE	ENGINEER	APPROVER
00	INITIAL RELEASE	2022-09-22		



**musictribe** ALL INFORMATION (INCLUDING DRAWINGS AND DIAGRAMS) CONTAINED IN THIS DOCUMENT IS THE PROPERTY OF MUSIC TRIBE. ADDRESSEES WHOM THE INFORMATION IS CONFIDED TO SHALL MAINTAIN THE INFORMATION IN CONFIDENCE AND SHALL NOT RELEASE IT TO ANY UNAUTHORIZED THIRD PARTIES EXCEPT UNDER ATTORNEY CLIENT PRIVILEGE OR UNDER APPROPRIATE CONFIDENTIALITY AGREEMENTS. ANY UNAUTHORIZED DISCLOSURE, USE, APPLICATION OR ANY OTHER DEALINGS IN THE INFORMATION SHALL RESULT IN CIVIL AND/OR CRIMINAL LIABILITIES AND PENALTIES.

FIRST ISSUE: 2022-09-22	MATERIAL CODE:	
MATERIAL, SUB GROUP, PRIMARY:	NAME: WING COMPACT ARMREST	
SURFACE, FINISH, TYPE:	MATERIAL, ID:	REVISION:
ALL DIMENSIONS IN X.XXmm[X.XXXXin] DO NOT SCALE DRAWING	SCALE: 1:2	SIZE: A3
		SHEET 1 OF 1