

CRC-VUL-WH / CRC-VUL-BK

White/Black Volume Remote Control Wall Plate in Single-Gang Format for CA, CM, CMA and CPA Series

1. Introduction

Welcome!

Thank you for purchasing the CRC-VUL Remote Volume Control panel. In conjunction with the Lab.Gruppen CA, CM, CMA and CPA Series of commercial amplifiers, the CRC-VUL provides easy control over volume. The CRC-VUL will fit in most standard-depth installation enclosures and will blend with any décor.

2. Control

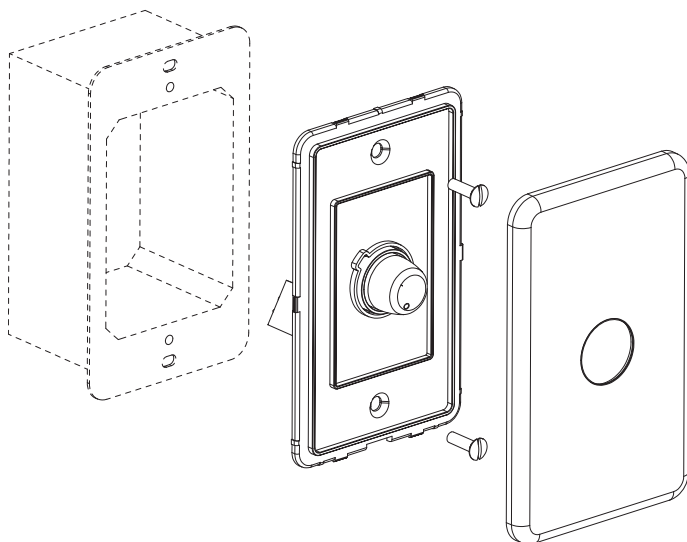
CRC-VUL features a single volume knob with an illuminated LED ring.

3. LED Ring Illumination Configuration

The LED ring illumination can be configured with a switch on the PCB. ON and OFF positions marked on the PCB and the switch can be found between the PCB and the bottom plate.

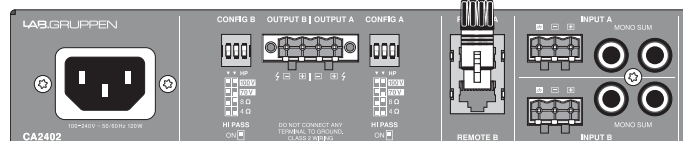
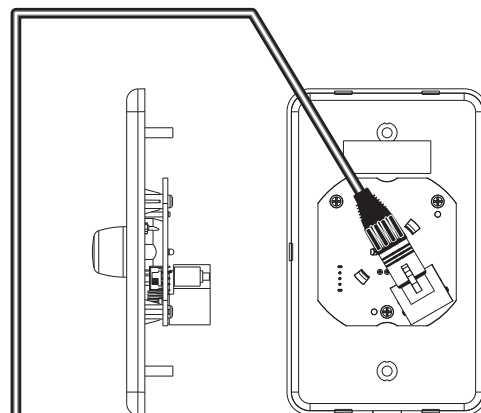
4. Assembly and Mounting

The CRC-VUL fastens into the installation enclosure with two screws beneath the front plate. Fasten the main unit into the enclosure with the mounting screws from the enclosure. When the unit is securely fastened, attach the front plate.



5. Wiring and Installation

Wire the CRC-VUL to any Remote port on a CA, CM, CMA and CPA product to control the volume of the channel associated with the Remote port. With custom cabling, a single remote can also be paralleled to the other channels remote port on a two-channel device.



RJ-45 Pin	Color	Potentiometer	Description
1	White / orange	Fixed end	VCC 10 V
2	Orange	Variable / wiper	Volume control
8	Brown	Fixed end	Ground

6. Operation

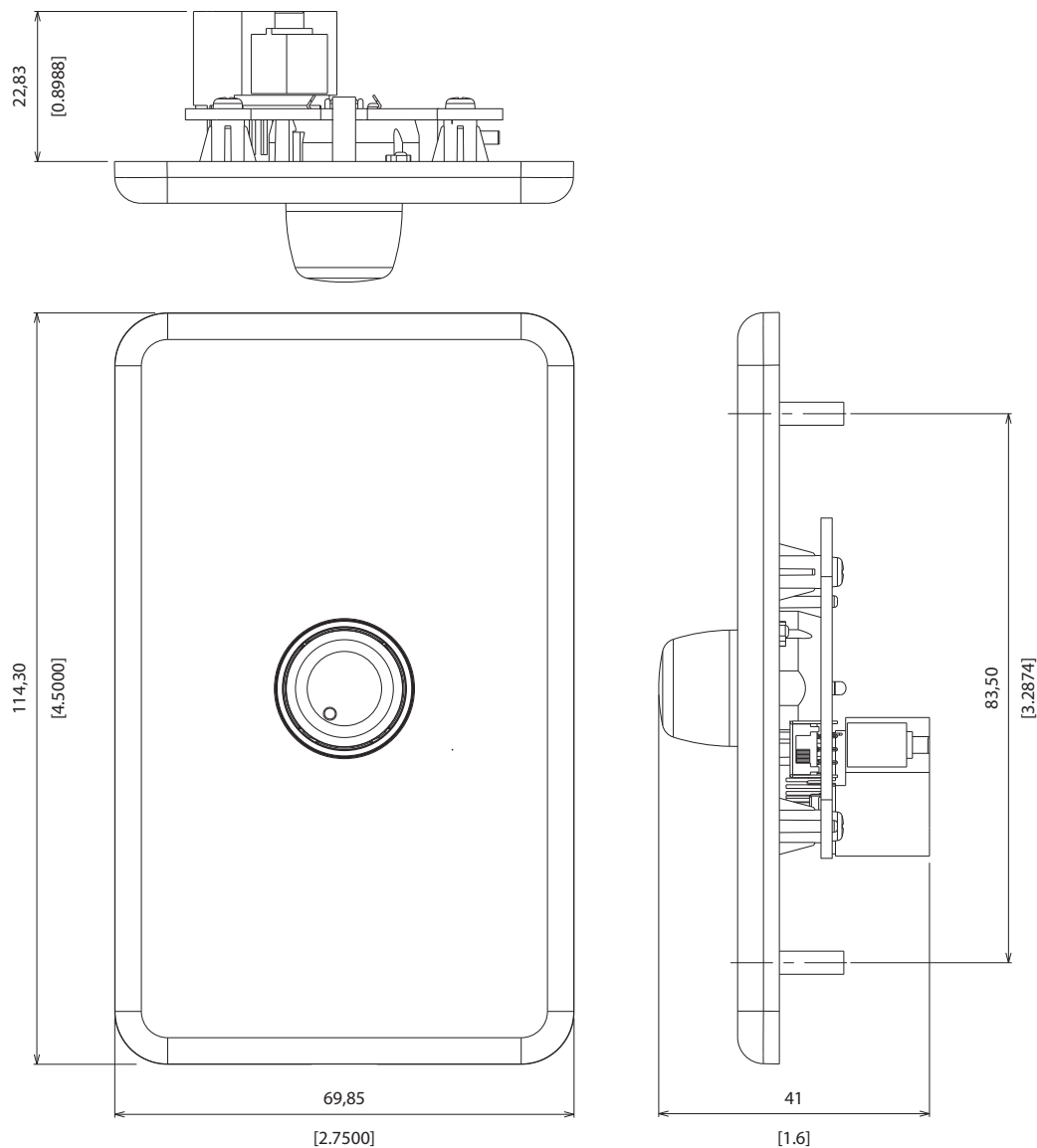
The CRC-VUL volume control is Attenuation only, i.e., the volume control can only be used to reduce the volume. The CRC-VUL remote volume control and the amplifier's master volume control are in series and both always active.

Typical configuration includes the following steps:

1. Turn the CRC-VUL volume knob to maximum (fully clockwise).
2. Adjust the amplifier's master volume control to the loudest setting you expect will ever be needed.
3. Turn the CRC-VUL volume knob down to the desired listening level.

By following this configuration method, the listening level set by the CRC-VUL remote volume control can never exceed the maximum level set on the amplifier's master volume.

7. Dimensions



8. Specification

Volume	1 x rotary control
Connector	1 x RJ45
Cable	Cat5/6
Cable length	Up to 305 m (1000 ft)
Potentiometer	20 kΩ linear
Dimensions (H x W x D)	114 x 70 x 41 mm (4.5 x 2.8 x 1.6")
Weight	0.05 kg (0.11 lbs)

LEGAL DISCLAIMER

Music Tribe accepts no liability for any loss which may be suffered by any person who relies either wholly or in part upon any description, photograph, or statement contained herein. Technical specifications, appearances and other information are subject to change without notice. All trademarks are the property of their respective owners. Midas, Klark Teknik, Lab Gruppen, Lake, Tannoy, Turbosound, TC Electronic, TC Helicon, Behringer, Bugera and Coolaudio are trademarks or registered trademarks of Music Tribe Global Brands Ltd. © Music Tribe Global Brands Ltd. 2019 All rights reserved.

LIMITED WARRANTY

For the applicable warranty terms and conditions and additional information regarding Music Tribe's Limited Warranty, please see complete details online at musictribe.com/warranty.

ZHONGSHAN EUROTEC ELECTRONICS LIMITED

No. 10 Wanmei Road, South China Modern Chinese Medicine Park, Nanlang Town, 528451, Zhongshan City, Guangdong Province, China