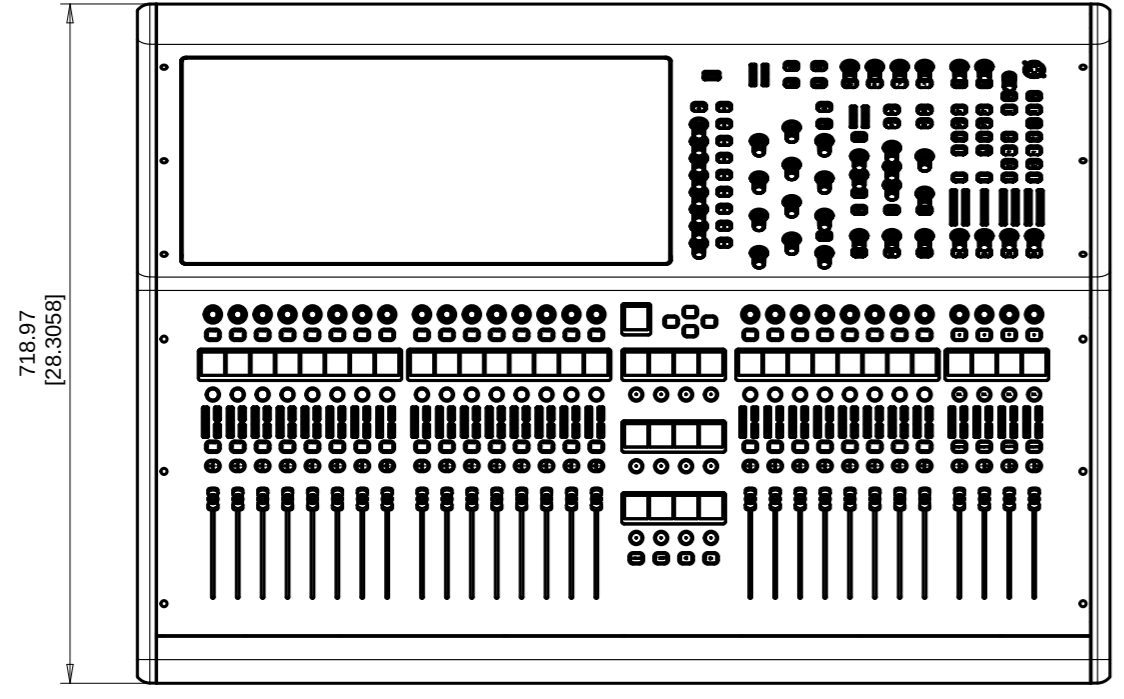
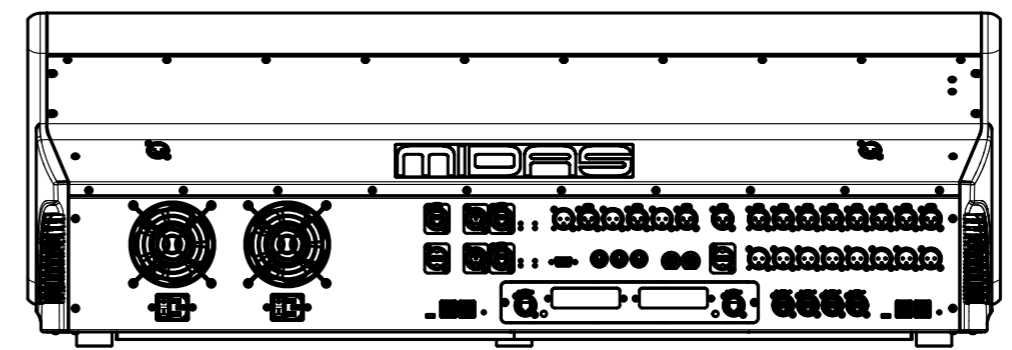


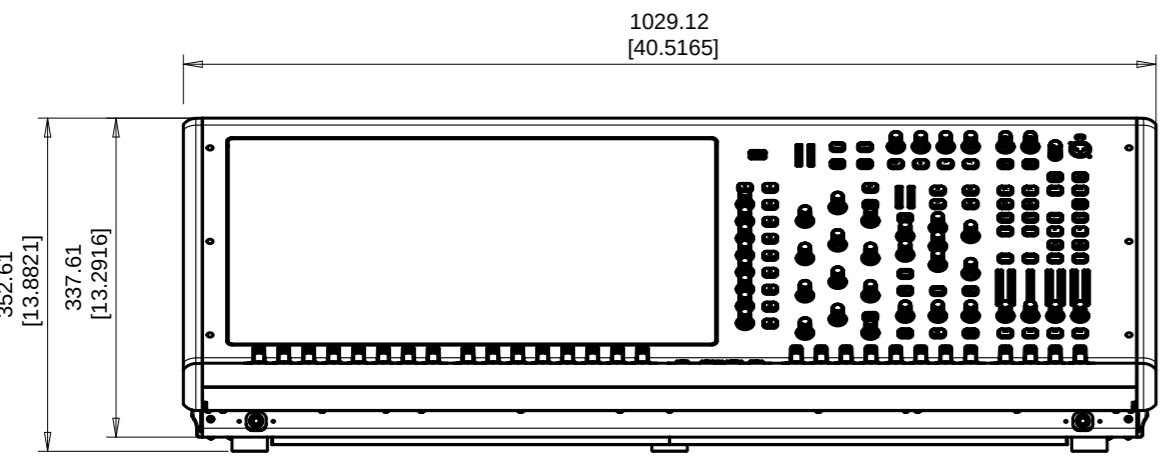
REVISION HISTORY					
REV	ECN	DETAILED DESCRIPTION	DATE	ENGINEER	APPROVER
△/00	-	INITIAL RELEASE	2023-01-03	CHESTER SANTOS	JASON BLANCO
△/01					



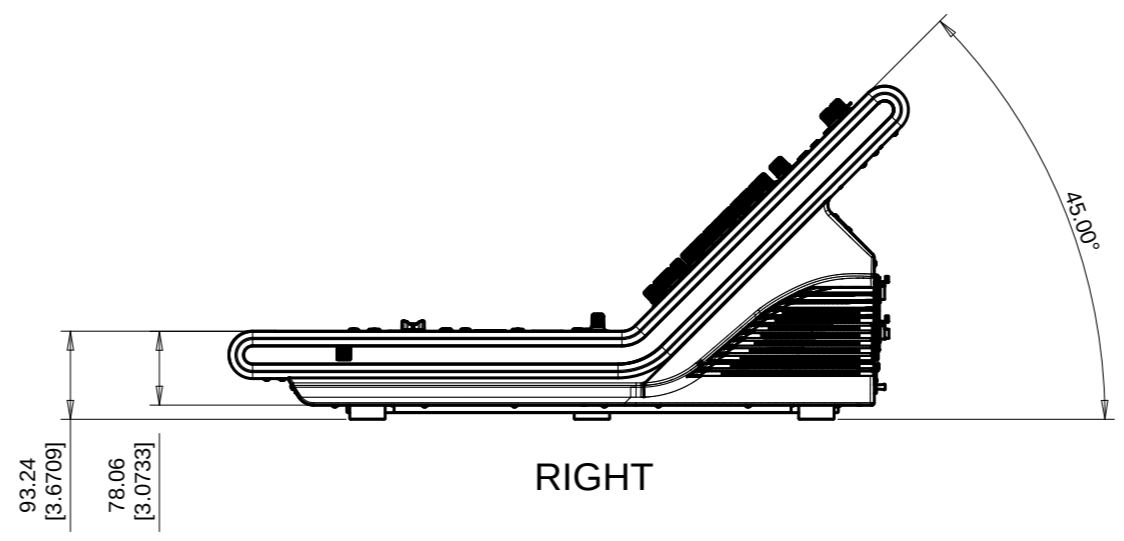
TOP



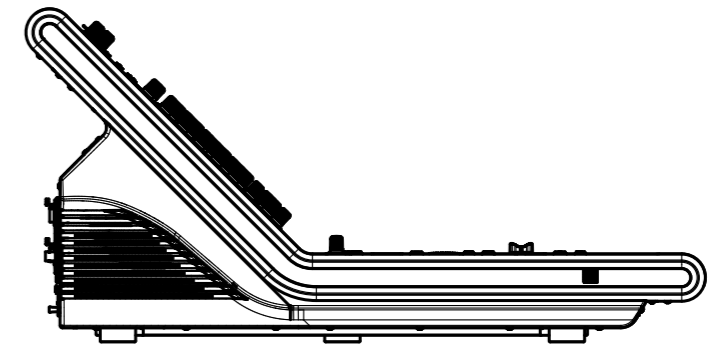
REAR



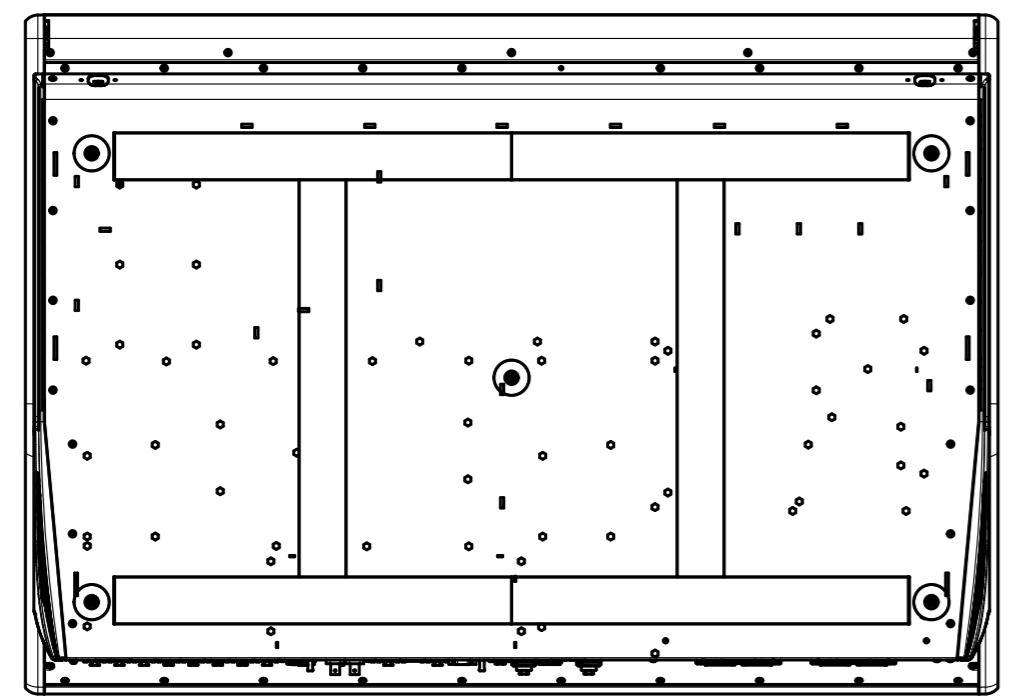
FRONT



RIGHT



LEFT



BOTTOM

musictribe

ALL INFORMATION INCLUDING DRAWINGS AND DIAGRAMS CONTAINED IN THIS DOCUMENT IS THE PROPERTY OF MUSIC TRIBE. ADDRESSEES WHOM THE INFORMATION IS CONFERRED TO SHALL MAINTAIN THE INFORMATION IN CONFIDENCE AND SHALL NOT RELEASE IT TO ANY UNAUTHORIZED THIRD PARTIES EXCEPT UNDER A WRITTEN CLOUD FROM MUSIC TRIBE. MUSIC TRIBE ASSUMES NO LIABILITY FOR DAMAGES IN THE INFORMATION SHALL RESULT IN CIVIL AND/OR CRIMINAL LIABILITY AND PENALTIES.

FIRST ISSUE: 2023-01-03	MATERIAL CODE: 0603-AED
MATERIAL, SUB GROUP, PRIMARY: N/A	NAME: MI_0603-AED_ASM-01
SURFACE, FINISH, TYPE: N/A	MATERIAL, ID: EB05-00136-000
ALL DIMENSIONS IN X.XXmm[X.XXXin] DO NOT SCALE DRAWING	REVISION: 06

SCALE:NTS SIZE:A2 SHEET1 OF 1