

## Install Speakers

# CVS 4 MICRO (EN 54)

4" Coaxial In-Ceiling Loudspeaker with Shallow Back Can for Installation Applications (EN 54 Certified)

- Coaxial full range low profile ceiling loudspeaker for installation applications
- 40 Watts continuous, 160 Watts peak power
- Shallow back can for limited cavity space
- 4" mineral loaded polypropylene driver with nitrile rubber surround for enhanced durability and long-term reliability
- 0.75" ferrofluid cooled soft dome neodymium high frequency driver
- Wide constant directivity dispersion for optimum coverage
- EN 54-24 certified for fire detection and fire alarm systems
- UV and weather resistant UL 94 V-0 ABS front with plated steel fire can enclosure
- Multiple transformer taps for 70 V and 100 V line systems or 6 Ohm direct input
- Low insertion loss 15 W line transformer with easily accessible tapping switch
- Semi matt white finish fits unobtrusively in any environment
- Powder coated perforated steel mesh grille with dust protection
- Mounting C-ring and ceiling tile rails included

The CVS 4 MICRO (EN 54) is a compact 160-Watt shallow back can ceiling loudspeaker engineered to provide superb audio performance in both background and foreground music sound systems. Ideally suited for a wide variety of applications, from restaurants and hotels to houses of worship and businesses of all types, the CVS 4 MICRO (EN 54) offers the power handling, wide frequency response and low distortion more typically found in a studio reference monitor than a ceiling loudspeaker. The resulting sound is warm, with a nuanced and pristine clarity that envelopes the listener – without intruding. EN 54-24 certification for fire detection and fire alarm systems makes the CVS 4 MICRO (EN 54) the perfect choice where safety is a top priority.



## Exceptional Sound and Reliability

The design comprises a 100 mm (4.00") mid bass driver with a coaxially mounted 19 mm (0.75") high frequency section mounted in an injection moulded semi matt white front baffle made of UV/weather resistant UL 94 V-0 ABS material that fits unobtrusively into any environment. The mineral loaded polypropylene cone material and nitrile rubber surround enhance durability and long-term reliability. Thanks to the shallow back can depth of less than 4" (98.3 mm), CVS 4 MICRO (EN 54) is perfect for applications where above-ceiling space is limited, but exceptional sonic quality and reliability are a requirement.

# TANNOY

## Install Speakers

# CVS 4 MICRO (EN 54)

4" Coaxial In-Ceiling Loudspeaker with Shallow Back Can for Installation Applications (EN 54 Certified)

- Phoenix\* connector with steel cover and EN 54 compliant strain relief clamping mechanism for fire rated cable
- 5-Year Warranty Program\*
- Designed and engineered in the U.K.

## Comprehensive Installation Package

Supplied with an integral plated steel shallow back can, Phoenix\* connector with steel cover, and an EN 54 compliant strain relief clamping mechanism for fire rated cable, the CVS 4 MICRO (EN 54) satisfies the vast majority of installation application requirements. Input is via a low insertion loss 15 W line transformer with multiple taps for 70 V and 100 V line systems or 6 Ohm direct input. Installation is quick and easy with two tile support rails and one C-ring included in the package. A plaster (mud) ring is available as an optional accessory.



## You Are Covered

We always strive to provide the best possible Customer Experience. Our products are made in our own **MUSIC Group** factory using state-of-the-art automation, enhanced production workflows and quality assurance labs with the most sophisticated test equipment available in the world. As a result, we have one of the lowest product failure rates in the industry, and we confidently back it up with a generous **5-Year Warranty** program.



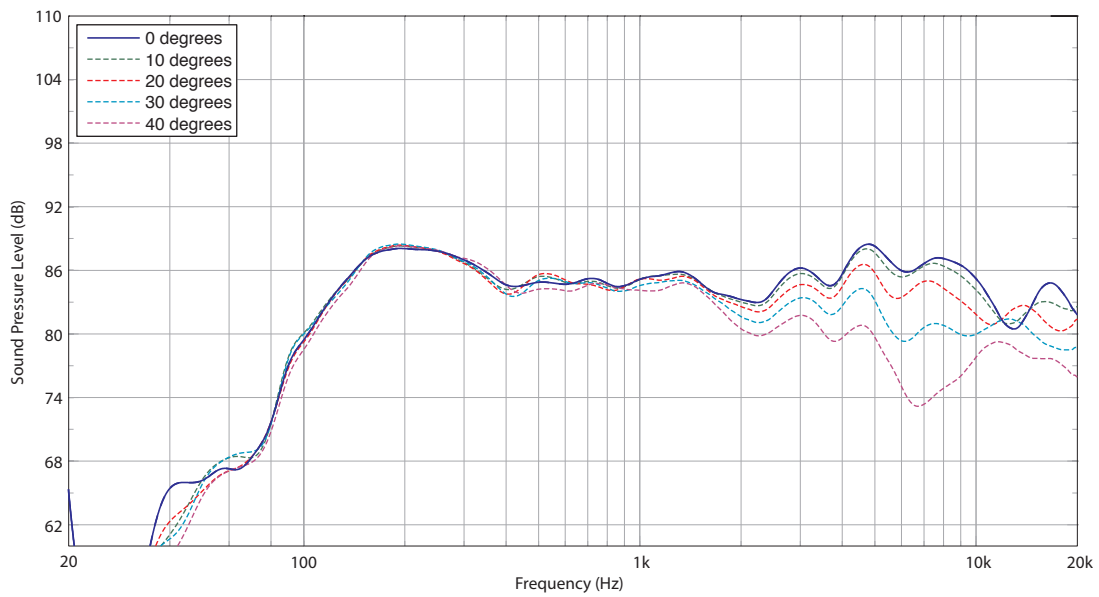
\*All third-party trademarks are the property of their respective owners. Their use neither constitutes a claim of the trademark nor affiliation of the trademark owners with MUSIC Group. Product names are mentioned solely as a reference for compatibility, effects and/or components. Warranty details can be found at music-group.com.

## Install Speakers

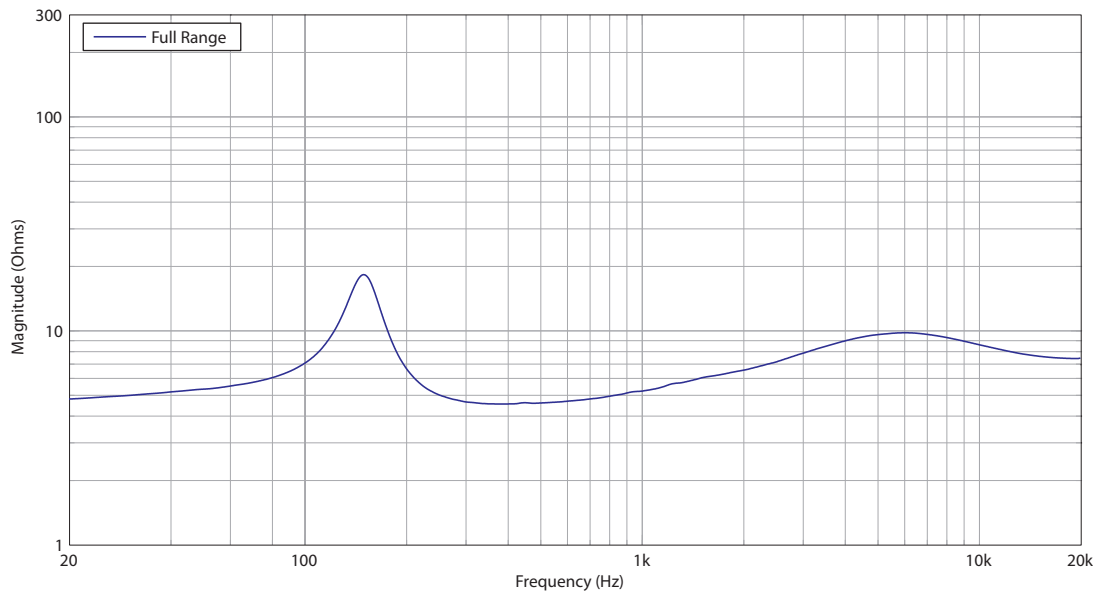
# CVS 4 MICRO (EN 54)

4" Coaxial In-Ceiling Loudspeaker with  
Shallow Back Can for Installation Applications  
(EN 54 Certified)

### Frequency Response Sensitivity 1 W / 1 m



### Impedance

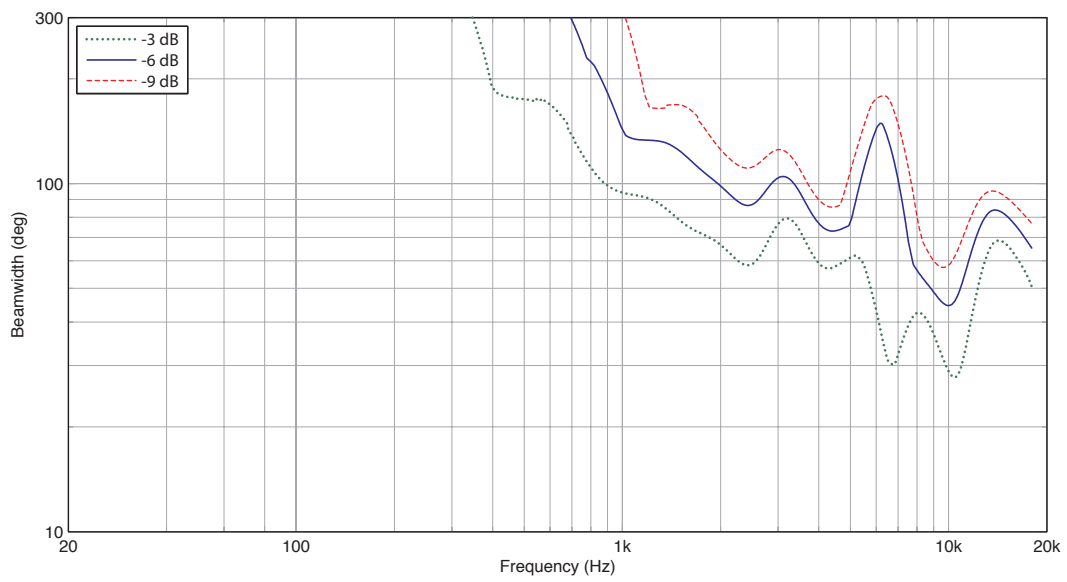


## Install Speakers

# CVS 4 MICRO (EN 54)

4" Coaxial In-Ceiling Loudspeaker with  
Shallow Back Can for Installation Applications  
(EN 54 Certified)

## Beamwidth

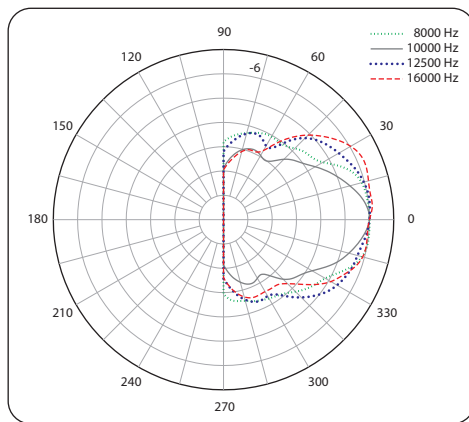
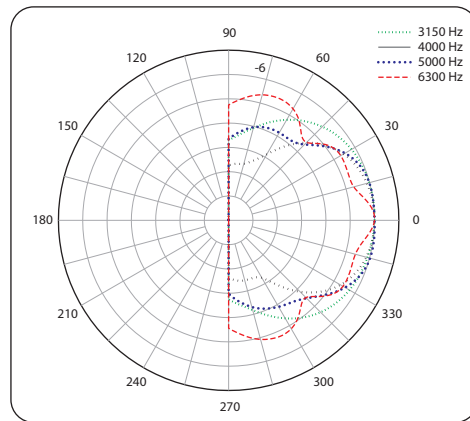
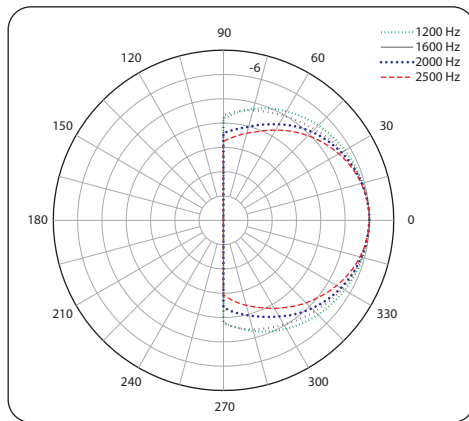
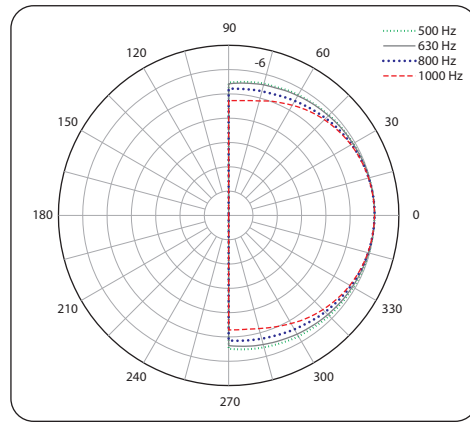
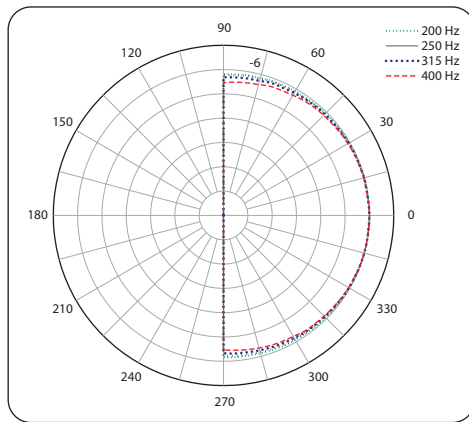


## Install Speakers

# CVS 4 MICRO (EN 54)

4" Coaxial In-Ceiling Loudspeaker with  
Shallow Back Can for Installation Applications  
(EN 54 Certified)

## Polar Plots

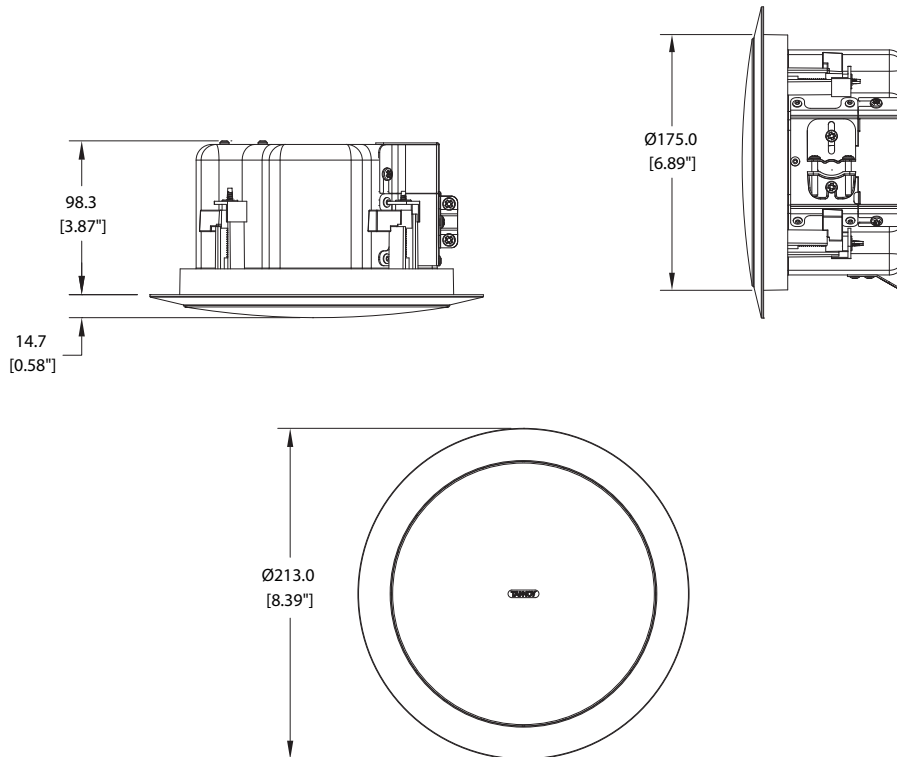


## Install Speakers

# CVS 4 MICRO (EN 54)

4" Coaxial In-Ceiling Loudspeaker with  
Shallow Back Can for Installation Applications  
(EN 54 Certified)

## Dimensions



## Install Speakers

# CVS 4 MICRO (EN 54)

4" Coaxial In-Ceiling Loudspeaker with  
Shallow Back Can for Installation Applications  
(EN 54 Certified)

## Technical Specifications

### Performance

Frequency response (-3 dB)	110 Hz – 19 kHz
Frequency response (-10 dB)	90 Hz – 22 kHz
Rated sensitivity (1 W, Lo Z)	87 dB
Sensitivity as per EN54 (4 m, through transformer)	74.1 dB
Directivity factor (Q)	5.6 averaged 1 kHz to 6 kHz
Directivity index (DI)	7.1 averaged 1 kHz to 6 kHz
<b>Power handling</b>	
Average	40 W
Programme	80 W
Peak	160 W
<b>Recommended amplifier power</b>	80 W @ 6 Ω
<b>Nominal Impedance (Lo Z)</b>	6 Ω
<b>Maximum SPL as per EN54 (4 m, through transducer)</b>	85 dB
<b>Rated maximum SPL (1 m, Lo Z)</b>	
Average	103 dB
Peak	109 dB
<b>Transformer taps</b>	
70 V	15 W (330 Ω) / 7.5 W (660 Ω) / 3.75 W (1280 Ω) / 1.9 W (2470 Ω) / OFF & low impedance operation
100 V	15 W (660 Ω) / 7.5 W (1280 Ω) / 3.75 W (2470 Ω) / OFF & low impedance operation
<b>Crossover point</b>	2.5 kHz

### Coverage Angles

500 Hz	179° horizontal, 178° vertical
1 kHz	175° horizontal, 175° vertical
2 kHz	155° horizontal, 155° vertical
4 kHz	86° horizontal, 88° vertical

### Transducers

<b>Low Frequency</b>	100 mm (4") mineral loaded cone material
<b>High frequency</b>	19 mm (0.75") coaxially mounted

### Physical

<b>Enclosure</b>	Blind mount (BM)
<b>Back can</b>	Painted steel
<b>Baffle</b>	Reflex loaded UL 94V-0 rated ABS
<b>Grille</b>	Steel, with weather resistant coating
<b>Safety features</b>	Rear enclosure safety ring for load-bearing bond
<b>Clamping design</b>	Security toggle clamp
<b>Connectors</b>	Euroblock-style connector with screw terminals (with input cover and cable gland supplied)
<b>Dimensions</b>	
Bezel diameter	213 mm (8.4")
Front of ceiling to rear of back can	98 mm (3.9")
Front of ceiling to top of cable clamp	N/A
Hole cutout diameter	180 mm (7.1")
Net weight	2.8 kg (6.2 lbs)
Included accessories	C-ring, tile-bridge kit, paint mask, cutout template
Optional accessories	Plaster (mud) ring
Packed quantity	2

Install Speakers

# CVS 4 MICRO (EN 54)

4" Coaxial In-Ceiling Loudspeaker with  
Shallow Back Can for Installation Applications  
(EN 54 Certified)





Install Speakers

# CVS 4 MICRO (EN 54)

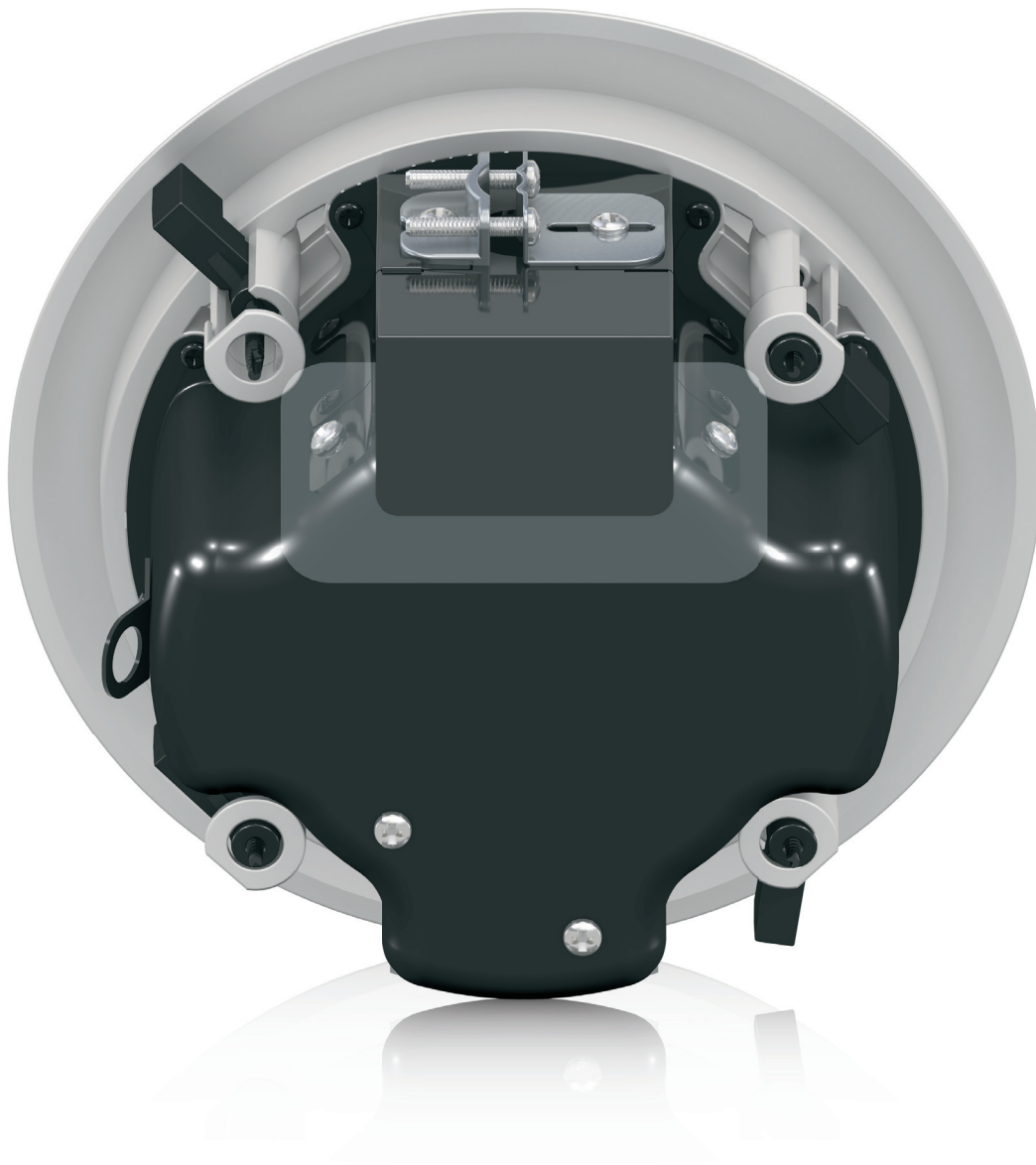
4" Coaxial In-Ceiling Loudspeaker with  
Shallow Back Can for Installation Applications  
(EN 54 Certified)



Install Speakers

# CVS 4 MICRO (EN 54)

4" Coaxial In-Ceiling Loudspeaker with  
Shallow Back Can for Installation Applications  
(EN 54 Certified)



Install Speakers

# CVS 4 MICRO (EN 54)

4" Coaxial In-Ceiling Loudspeaker with  
Shallow Back Can for Installation Applications  
(EN 54 Certified)

MUSIC Group Manufacturing PH Ltd  
17A Brunswick Street Hamilton HM 10 Bermuda  
DoP No. CPR-CVSEN54-02 EN54-24: 2008 TYPE A  
CoC No. 1438-CPR-0537

MADE IN CHINA

CE 17 1438

LOUDSPEAKER FOR VOICE ALARM SYSTEMS FOR FIRE  
DETECTION AND FIRE ALARM SYSTEMS FOR BUILDINGS

**SPEAKER: CVS 4 MICRO (EN 54)**

INPUT	POWER	WIRING	PASSIVE
70 V LINE	1.9, 3.75, 7.5, 15 W	1+/2-	INPUT
100 V LINE	3.75, 7.5, 15 W	3-/4+	LINK
6 Ω	80 W PROGRAM	N/A	N/A

**TANNOY**  
DESIGNED AND ENGINEERED IN THE U.K.

DESIGNED AND ENGINEERED IN THE U.K.



For service, support or more information contact the TANNOY location nearest you:

**Europe**  
**MUSIC Group Services UK**  
Tel: +44 1562 547 100  
Email: CARE@music-group.com

**USA/Canada**  
**MUSIC Group Services NV Inc.**  
Tel: +1 702 963 1300  
Email: CARE@music-group.com

**Japan**  
**MUSIC Group Services JP K.K.**  
Tel: +81 3 5833 9121  
Email: CARE@music-group.com

MUSIC Group accepts no liability for any loss which may be suffered by any person who relies either wholly or in part upon any description, photograph, or statement contained herein. Technical specifications, appearances and other information are subject to change without notice. All trademarks are the property of their respective owners. MIDAS, KLARK TEKNIK, LAB GRUPPEN, LAKE, TANNOY, TURBOSOUND, TC ELECTRONIC, TC HELICON, BEHRINGER and BUGERA are trademarks or registered trademarks of MUSIC Group IP Ltd.  
© MUSIC Group IP Ltd. 2017 All rights reserved.

