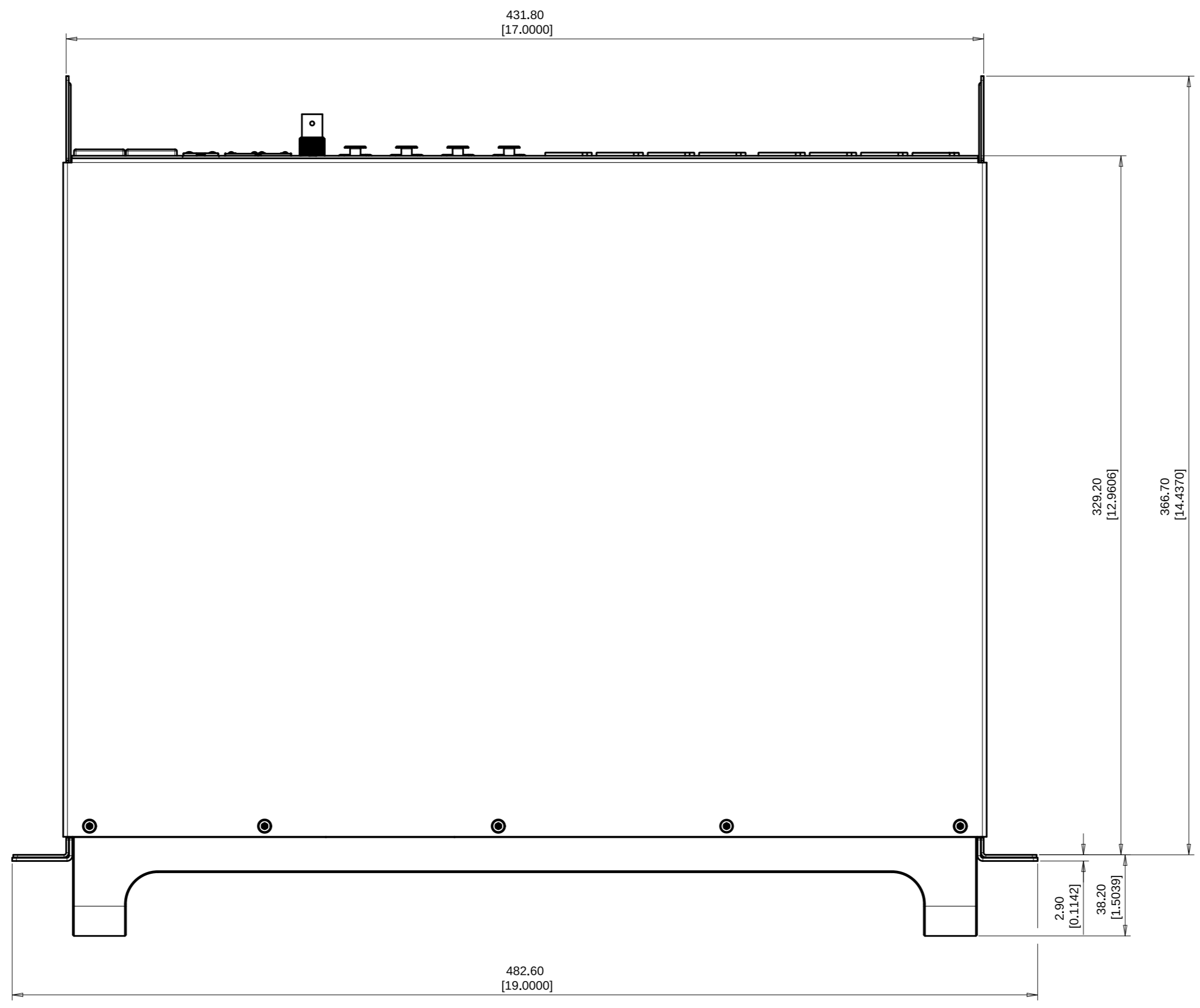
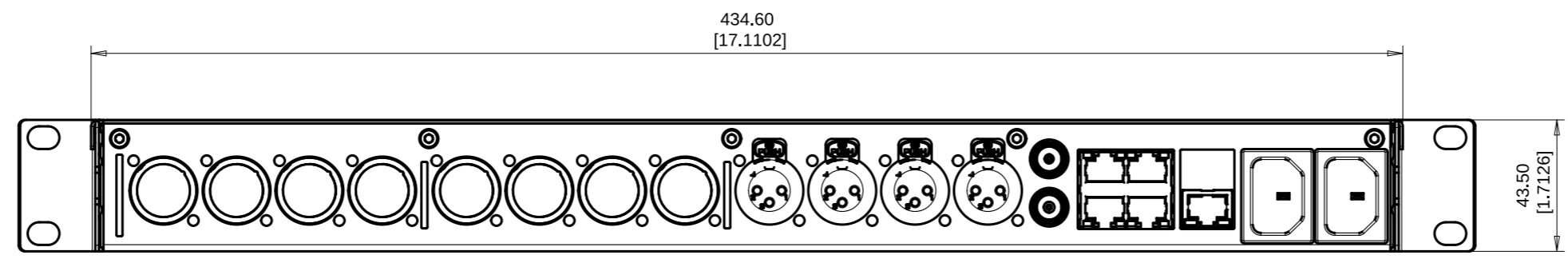
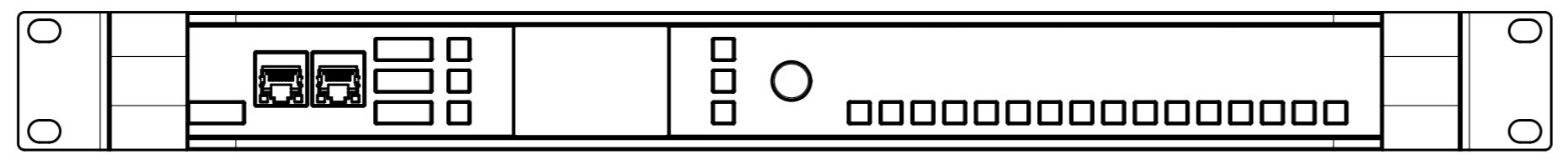


REVISION HISTORY					
REV	ECO	DETAILED DESCRIPTION	DATE	ENGINEER	APPROVER
00		INITIAL RELEASE	2024-05-17	RONALD DELA PENA	



musictribe

ALL INFORMATION INCLUDING DRAWINGS AND DIAGRAMS CONTAINED IN THIS DOCUMENT IS THE PROPERTY OF MUSIC TRIBE. ADDRESSEES WHOM THE INFORMATION IS CONVEYED TO SHALL MAINTAIN THE INFORMATION IN CONFIDENCE AND SHALL NOT RELEASE IT TO ANY UNAUTHORIZED THIRD PARTIES EXCEPT UNDER A WRITTEN CLEARANCE FROM MUSIC TRIBE. UNAUTHORIZED DISSEMINATION OR DESTRUCTION OF THE INFORMATION SHALL RESULT IN CIVIL AND/OR CRIMINAL LIABILITY AND PENALTIES.

FIRST ISSUE:	MODEL ITEM:
MATERIAL, SUB GROUP, PRIMARY:	ITEM NAME:
SURFACE, FINISH, TYPE:	ITEM NUMBER:
ALL DIMENSIONS IN X.XXmm[X.XXXIn] DO NOT SCALE DRAWING	REVISION : 0

SCALE: 1:2 SIZE: A2 SHEET1 OF 1