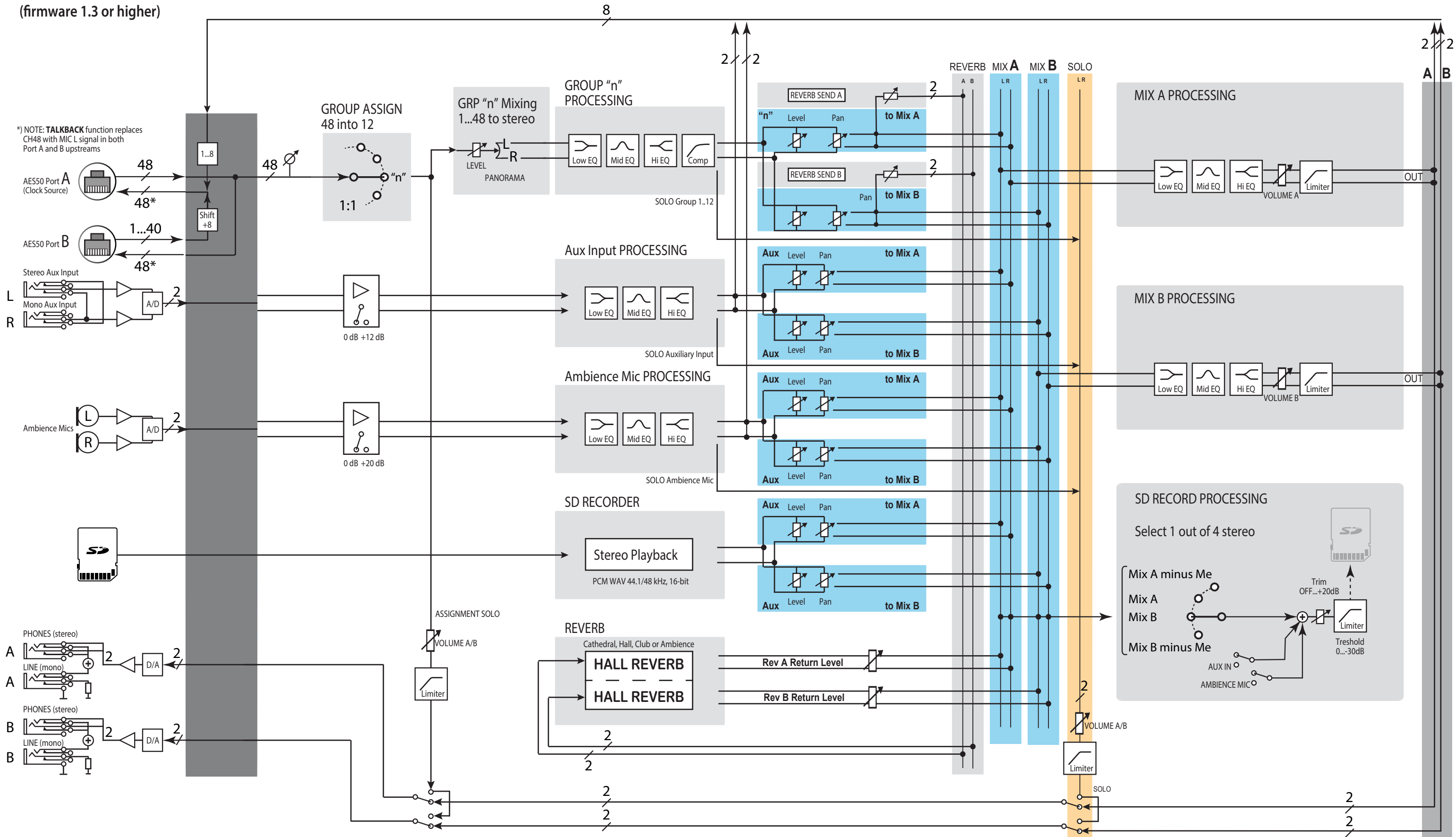


# DP48 Personal Mixer Block Diagram

Revision 6, 11.03.2020, JD

(firmware 1.3 or higher)



\*) NOTE: TALKBACK function replaces CH48 with MIC L signal in both Port A and B upstreams

