

Accessories

PRO SERIES

PRO FADER (550 mm)

Set of 5 High-Endurance, Touch-Sensitive
100 mm Motorised Faders (550 mm Cable)

- Touch-sensitive Motorised 100 mm Fader with 550 mm cable for MIDAS digital consoles
- High-endurance up to 1 million cycle lifetime
- Premium quality wiper fingers made from Palladium Silver-Copper alloy
- Touch-sensitive T-bar and sensor track
- High-precision 10 kΩ linear resistive track
- Long-life, industry-proven Mabuchi* motor
- Replacement for Penny+ Giles* PGFM3200, Alps* K-Fader, etc.
- 10-Year Warranty Program*
- Designed and engineered in the U.K.

Not satisfied with the existing motorised fader choices in the marketplace, MIDAS created the PRO FADER, rated for up to a million cycles – three times that of other leading manufacturers - and providing high linearity, robustness, and smooth feel during operation. This decision yielded many other benefits, including total quality control over the manufacturing process and lower costs that could be passed on to customers.



As a digital console manufacturer, MIDAS has a perspective on the actual application of motor faders that a component manufacturer would not have. The multi-disciplinary development project combined mechanical design, electronic hardware and software optimisation with a rigorous testing programme and an investment in material science to produce the best possible performance in actual operation in MIDAS PRO Series consoles. Semi-precious metals are used for the wiper fingers for their hard-wearing properties, and precision resistive tracks were created that offer highly linear positional accuracy, coupled with long-term durability and even response in use.

*All third-party trademarks are the property of their respective owners. Their use neither constitutes a claim of the trademark nor affiliation of the trademark owners with MUSIC Tribe. Product names are mentioned solely as a reference for compatibility, effects and/or components. Warranty details can be found at musictribe.be.

Accessories

PRO SERIES

PRO FADER (550 mm)

Set of 5 High-Endurance, Touch-Sensitive
100 mm Motorised Faders (550 mm Cable)

PRO FADER (550 mm) features a high precision 100 mm travel track with a 10 k Ω linear law, ideally suited to servo control applications. The integrated touch sensing track and conductive T-Bar allow both the implementation of automatic channel selection in software, as well as detection of when the fader is being held so that the motor is not driven. PRO FADER (550 mm) is designed to be mounted to console fascia panels via its two M3 threaded pillars which are on 120 mm mounting centres. A 550 mm long cable is provided which includes connections for the 10 k Ω resistive track, the touch sensing track and the motor.

PRO FADER (550 mm) is supplied as a set of five faders and is specifically intended for use in the centre sections of [MIDAS PRO3](#), [PRO6](#), [PRO9](#) and [PRO X](#) Series control centres. PRO FADER (550 mm) is also a replacement for industry standard parts such as Penny+Giles PGFM3200, Alps K-Fader and other similar 100 mm motorised faders.



You Are Covered

We always strive to provide the best possible Customer Experience. Our products are made in our own [MUSIC Tribe](#) factory using state-of-the-art automation, enhanced production workflows and quality assurance labs with the most sophisticated test equipment available in the world. As a result, we have one of the lowest product failure rates in the industry, and we confidently back it up with a generous [Warranty program](#).

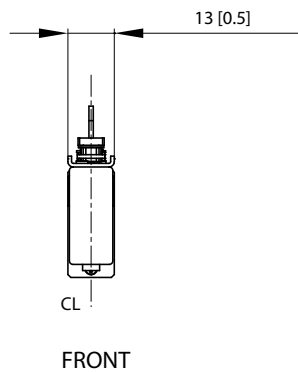
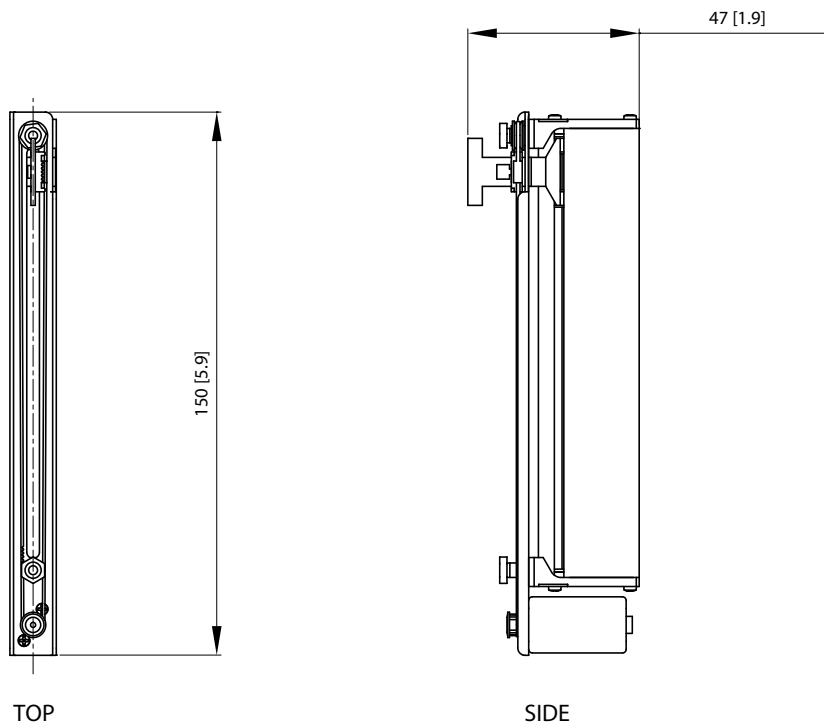
Accessories

PRO SERIES

PRO FADER (550 mm)

Set of 5 High-Endurance, Touch-Sensitive
100 mm Motorised Faders (550 mm Cable)

Dimensions



Accessories

PRO SERIES

PRO FADER (550 mm)

Set of 5 High-Endurance, Touch-Sensitive
100 mm Motorised Faders (550 mm Cable)

Technical Specifications

System

Fader travel	100 mm
Track resistance	10 k Ω \pm 20%
Track law	Linear
Track linearity	\pm 2%
Mounting thread	M3
Mounting centres	120 mm
Motor	Mabuchi FF-050SB-09250
Motor drive voltage	8 V nominal
Connector	6 way 2.54 mm (0.1") latching connector (Molex* 22-01-2065 connector shell with 08-50-0031 crimps)
Cable length	550 mm
Connections	1 - Grey Touch Sense 2 - Yellow Wiper 3 - Blue 0% Travel 4 - Red 100% Travel 5 - Red Motor (+) 6 - Black Motor (-)
Dimensions	150 mm length x 13 mm width x 47 mm high

PRO SERIES

PRO FADER (550 mm)

Set of 5 High-Endurance, Touch-Sensitive
100 mm Motorised Faders (550 mm Cable)

Architecture & Engineering Specifications

The motorised fader shall be intended for use on digital audio mixing consoles and control centres as part of a linear position-sensing servo circuit.

The motorised fader shall have an operational lifetime of up to 1 million cycles.

The motorised fader shall have a $10\text{ k}\Omega \pm 20\%$ linear law track with $\pm 2\%$ linearity.

The motorised fader shall have 100 mm travel.

The motorised fader shall use wiper fingers manufactured from Palladium Silver-Copper alloy.

The motorised fader shall have a touch sensing track which is connected to a conductive T-Bar fixing via a set of wiper fingers.

The motorised fader shall use a Mabuchi FF-050SB-09250 motor.

The motorised fader shall have a cable loom of nominal length 550 mm, terminating in a 6-way Molex 22-01-2065 connector shell fitted with 08-50-0031 crimps.

The motorised fader shall have overall dimensions 150 mm length x 13 mm width x 47 mm high (5.9" x 0.5" x 1.9").

The motorised fader shall have M3 threaded pillar fixings on 120.0 mm (4.72") mounting centres.

The motorised fader shall be the **MIDAS PRO FADER (550 mm)** and no other alternative shall be acceptable.

Accessories

PRO SERIES

PRO FADER (550 mm)

Set of 5 High-Endurance, Touch-Sensitive
100 mm Motorised Faders (550 mm Cable)



Accessories

PRO SERIES

PRO FADER (550 mm)

Set of 5 High-Endurance, Touch-Sensitive
100 mm Motorised Faders (550 mm Cable)



For service, support or more information contact the MIDAS location nearest you:

Europe
MUSIC Tribe Brands UK Ltd.
Tel: +44156 273 2290
Email: CARECrea@music-group.com
CAREnte@music-group.com
CARELife@music-group.com

USA/Canada
MUSIC Tribe Commercial NV Inc.
Tel: +1 702.800 8290
Email: CARECrea@music-group.com
CAREnte@music-group.com
CARELife@music-group.com

Japan
MUSIC Tribe Services JP K.K.
Tel: +81 3 6231 0453
Email: CARECrea@music-group.com
CAREnte@music-group.com
CARELife@music-group.com

MUSIC Tribe accepts no liability for any loss which may be suffered by any person who relies either wholly or in part upon any description, photograph, or statement contained herein. Technical specifications, appearances and other information are subject to change without notice. All trademarks are the property of their respective owners. MIDAS, KLARK TEKNIK, LAB GRUPPEN, LAKE, TANNNOY, TURBOSOUND, TC ELECTRONIC, TC HELICON, BEHRINGER, BUGERA and COOLAUDIO are trademarks or registered trademarks of MUSIC Tribe Global Brands Ltd. © MUSIC Tribe Global Brands Ltd. 2018 All rights reserved.

MIDAS