

Mixer Accessories

# PRO SERIES PRO1-RC

Touring Grade Road Case for  
MIDAS PRO1 Live Digital Console

- ⊗ Touring grade road case for MIDAS PRO1 Live Digital Console
- ⊗ Features marine grade plywood, aluminium extrusions and composite density protective foam
- ⊗ 3-Year Warranty Program\*
- ⊗ Designed and engineered in England



The PRO1-RC touring grade road case for the MIDAS PRO1 Live Digital Console is designed to withstand the rigours of live concert tours and is constructed from 12 mm thick rigid marine grade plywood with 40 x 40 mm durable aluminium edging extrusions. Composite density foam provides internal support and superior protection in transit, night after night, city after city.



The PRO1-RC features premium Penn-Elcom\* castors and RK\* handles for long working life.

PRO1-RC ships with a removable protective pallet that allows the road case to be stored and shipped on its side.

## You Are Covered

We always strive to provide the best possible Customer Experience. Our products are made in our own MUSIC Group factory using state-of-the-art automation, enhanced production workflows and quality assurance labs with the most sophisticated test equipment available in the world. As a result, we have one of the lowest product failure rates in the industry, and we confidently back it up with a generous 3-Year Warranty program.



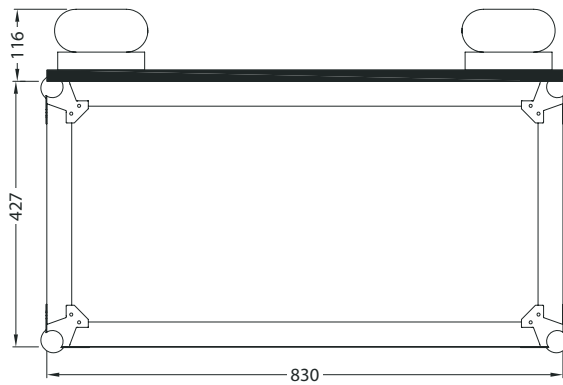
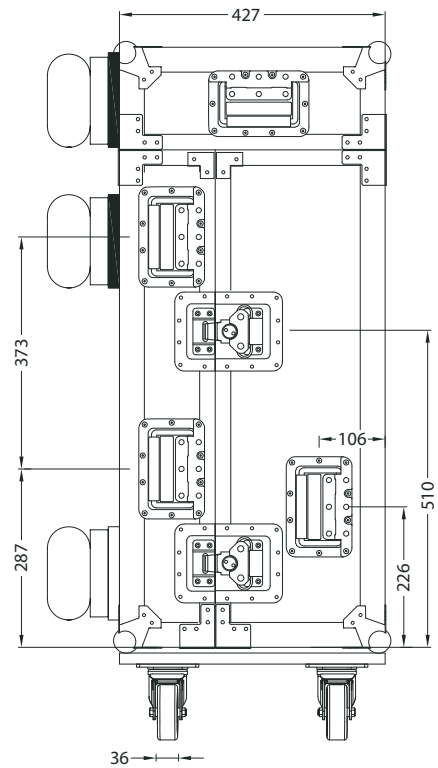
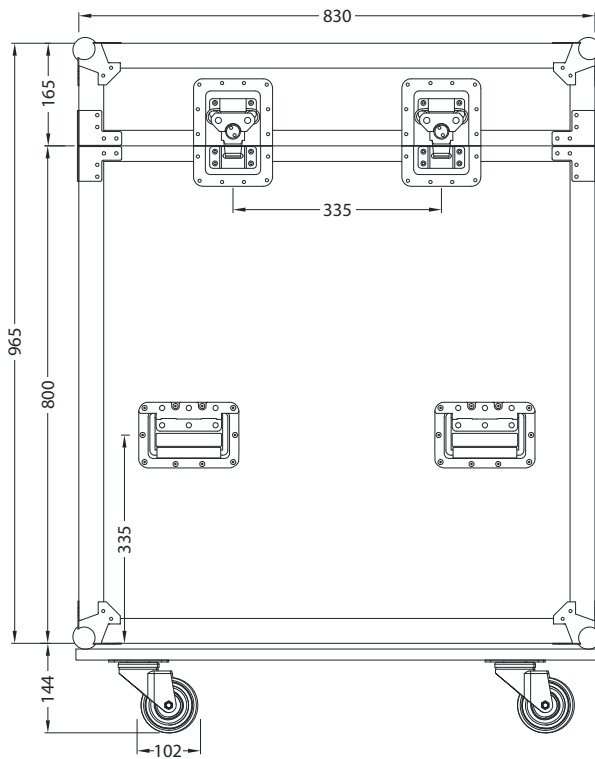
\*Warranty details can be found at [music-group.com](http://music-group.com).

Mixer Accessories

# PRO SERIES PRO1-RC

Touring Grade Road Case for  
MIDAS PRO1 Live Digital Console

## Dimensions



Mixer Accessories

# PRO SERIES

## PRO1-RC

Touring Grade Road Case for  
MIDAS PRO1 Live Digital Console

### Technical Specifications

<b>Material</b>	12.0 mm thick marine grade plywood 40 x 40 mm aluminium edging extrusions
<b>Castors</b>	Penn-Elcom
<b>Length</b>	543 mm (21.4")
<b>Width</b>	830 mm (32.7")
<b>Height</b>	1109 mm (43.7")
<b>Net weight</b>	76.0 kg (167.2 lbs)

# PRO SERIES

## PRO1-RC

Touring Grade Road Case for  
MIDAS PRO1 Live Digital Console

### Architecture and Engineering Specifications

The road case shall be specifically designed for the [MIDAS PRO1](#) Live Digital Console.

The road case shall be constructed from 12 mm thick marine grade plywood with 40 x 40 mm aluminium edging extrusions for added protection.

The road case shall have internal support consisting of composite density foam.

The road case shall use Penn-Elcom castors and RK handles.

The road case shall have 543 mm length x 830 mm width x 1109 mm height (21.4" x 32.7" x 43.7"), with nominal weight 76.0 kg (167.2 lbs).

The road case shall be the MIDAS PRO1-RC and no other alternative shall be acceptable.

Mixer Accessories

# PRO SERIES PRO1-RC

Touring Grade Road Case for  
MIDAS PRO1 Live Digital Console



Mixer Accessories

# PRO SERIES PRO1-RC

Touring Grade Road Case for  
MIDAS PRO1 Live Digital Console



For service, support or more information contact the MIDAS location nearest you:

**Europe**  
**MUSIC Group Services UK**  
Tel: +44 156 273 2290  
Email: CARE@music-group.com

**USA/Canada**  
**MUSIC Group Services NV Inc.**  
Tel: +1 702 800 8290  
Email: CARE@music-group.com

**Japan**  
**MUSIC Group Services JP K.K.**  
Tel: +81 3 6231 0454  
Email: CARE@music-group.com

MUSIC Group accepts no liability for any loss which may be suffered by any person who relies either wholly or in part upon any description, photograph, or statement contained herein. Technical specifications, appearances and other information are subject to change without notice. All trademarks are the property of their respective owners. MIDAS, KLARK TEKNIK, LAB GRUPPEN, LAKE, TANNÖY, TURBOSOUND, TC ELECTRONIC, TC HELICON, BEHRINGER, BUGERA and DDA are trademarks or registered trademarks of MUSIC Group IP Ltd.  
© MUSIC Group IP Ltd. 2016 All rights reserved.

