

Portable

NuQ115B-AN

3000 Watt 15" Front Loaded Subwoofer with KLARK TEKNIK DSP Technology and ULTRANET Networking

- Front loaded powered subwoofer for portable PA and installation applications
- 3,000 Watt power featuring KLARK TEKNIK Class-D technology
- KLARK TEKNIK Digital Signal Processing for total system control
- ULTRANET digital audio networking connects to mixers and other sources
- Double suspension 15" low frequency driver with inside/outside wound coil
- Fully featured user interface with LCD display for ease of navigation
- PC remote control software downloadable at turbosound.com
- Low distortion bass reflex port design
- 18 mm (¾") birch plywood enclosure with hard wearing semi matt black paint finish
- Integral M10 rigging points for ease of installation
- 35 mm pole mount to support satellite speaker
- Mains input on Neutrik powerCON* connector
- 10-Year Warranty Program*
- Designed and engineered in the U.K.



The 3,000 Watt NuQ115B-AN is a powered 15" subwoofer system that is ideally suited for a wide range of music and live sound reinforcement applications. Designed to work individually without a controller, the the NuQ115B-AN provides optimal FOH performance, as well as exceptional drum and side fill monitoring applications.



A bass reflex port design enclosure, the NuQ115B-AN features a high power, double suspension 15" low frequency driver that utilizes a specialized inside/outside wound voice coil for higher magnetic density, better heat dissipation, high power handling capacity, and improved efficiency. The NuQ115B-AN subwoofer provides fast and accurate transient response for virtually distortion-free operation.

Output power for the NuQ115B-AN is provided by means of an efficient and lightweight **KLARK TEKNIK** 3,000-Watt Class-D power amplifier. A sophisticated, but easy to use **KLARK TEKNIK** Digital Signal Processor (DSP) provides dynamic EQ for impressive low frequency response at low volume levels and transparent limiting for clarity at high output levels – and for long-term reliability.

NuQ115B-AN

3000 Watt 15" Front Loaded Subwoofer
with KLARK TEKNIK DSP Technology and
ULTRANET Networking

On the rear panel of the amplifier module, the user interface's LCD display and single rotary encoder provide intuitive access to: position compensation, user EQ control, crossover alignment and signal routing features. In addition to the balanced XLR input, an XLR output is provided for daisy-chaining more active subwoofers, or for use with active full range satellite speakers. An onboard USB port provides access for remote control of the NuQ115B-AN via PC computer, as well as DSP firmware updates.

ULTRANET connectivity is provided by two locking etherCON* connectors. Up to 16 independent channels of 24-bit digital audio and control data are transmitted via a single CAT5 cable between compatible digital devices – including mixers, I/O stage boxes, powered loudspeakers and personal monitoring systems. Simplified cable routing and ease of setup translate directly into significant time saved during installation.

Finished in a highly durable semi matt black paint, the cabinet is constructed from 18 mm (¾") birch plywood and includes – and includes a rugged powder coated perforated steel mesh grille backed with reticulated foam; multiple M10 threaded rigging points; a 35 mm pole socket for satellite speaker mounting; integrated carry handles for convenient transport – and high impact interlocking corners for ground stacking stability. Mains power input is provided via a Neutrik powerCON* connector.



You Are Covered

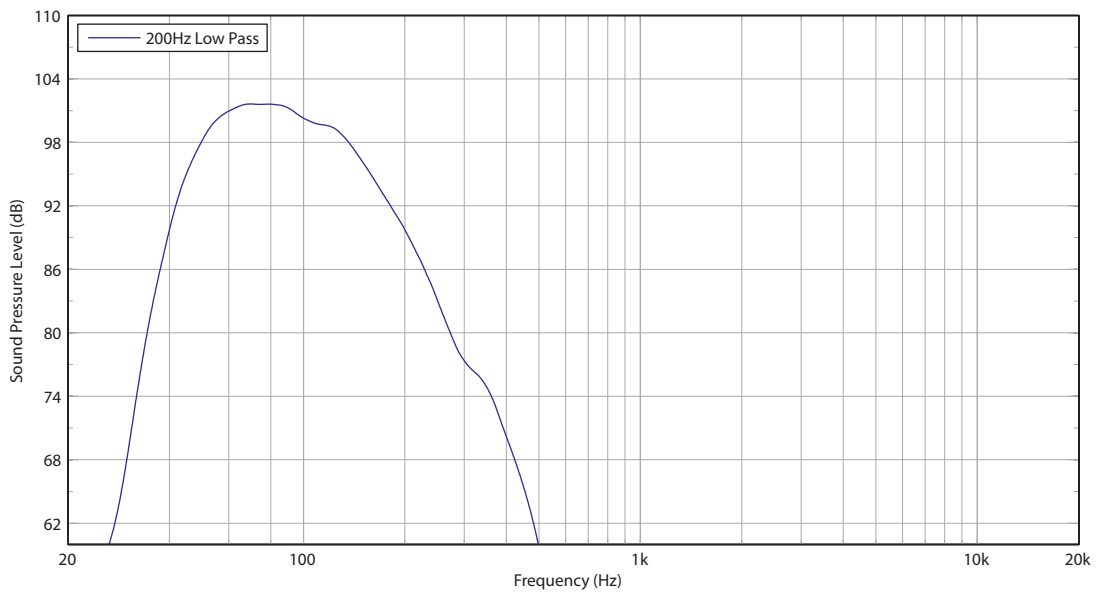
We always strive to provide the best possible Customer Experience. Our products are made in our own [MUSIC Tribe](#) factory using state-of-the-art automation, enhanced production workflows and quality assurance labs with the most sophisticated test equipment available in the world. As a result, we have one of the lowest product failure rates in the industry, and we confidently back it up with a generous [Warranty program](#).

Portable

NuQ115B-AN

3000 Watt 15" Front Loaded Subwoofer
with KLARK TEKNIK DSP Technology and
ULTRANET Networking

Frequency Response Sensitivity 1 W / 1 m

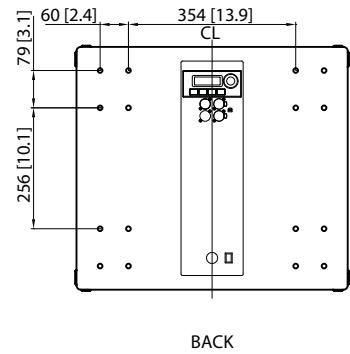
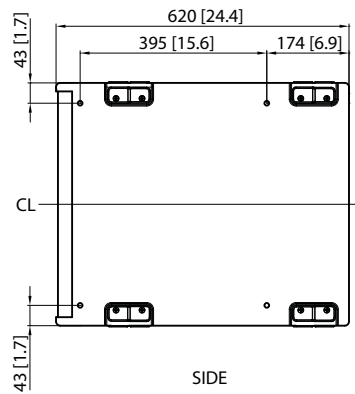
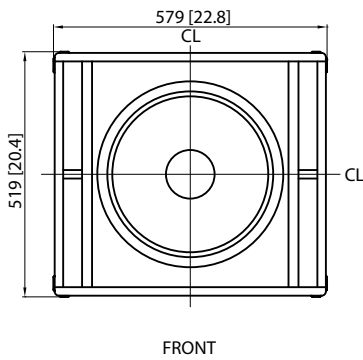
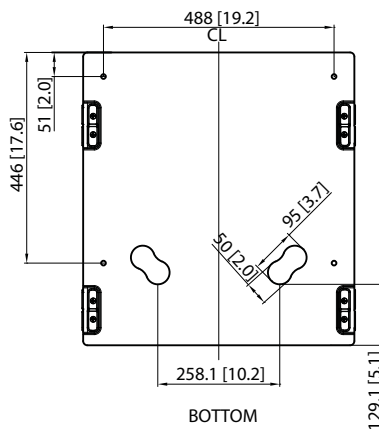
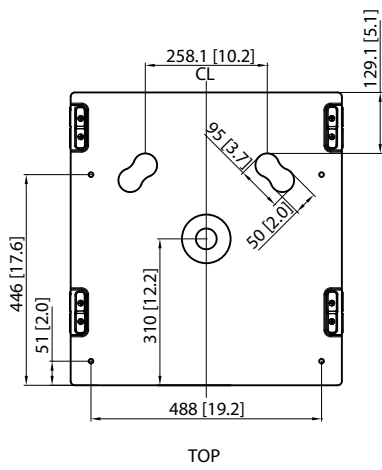


Portable

NuQ115B-AN

3000 Watt 15" Front Loaded Subwoofer with KLARK TEKNIK DSP Technology and ULTRANET Networking

Dimensions



Portable

NuQ115B-AN

3000 Watt 15" Front Loaded Subwoofer
with KLARK TEKNIK DSP Technology and
ULTRANET Networking

Technical Specifications

System

Frequency Response	45 Hz – 150 Hz \pm 3 dB 38 Hz – 200 Hz -10 dB
Nominal Dispersion	Half Space
Maximum SPL	135 dB peak
Crossover Type	Active
Transducers	1 x 15" (387 mm) LF driver
Limiter	Peak and rms

Amplifier

Maximum Output Power*	3,000 W
Type	Class-D
Protection	Short circuit, thermal

Connectors

Input/link	1 x Combo Jack/XLR 1 x XLR
Sensitivity	+4dBu or +14 dBu software switchable
Input impedance	40 k Ω balanced
Maximum input level	+22 dBu
Ultranet input/link	2 x RJ45
Mains Supply	Neutrik powerCON 20A+

Controls

DSP	Rotary push-encoder and level control Buttons for Process, Setup, Exit, Enter
-----	--

User DSP Functions

Factory EQ Presets	Positioning, Sound mode
Display	LCD 128 x 32, blue, backlit
Delay	0 - 300 ms
Equalisation	High and low shelving EQ 2 x parametric EQ
Limiter	Zero attack input limiter
Presets	20 total presets, 19 user-definable
Crossover	Low Pass L-R 24 dB/oct
Protection	Lock-out function for all settings

Ultranet Digital Network

Digital processing	
A/D conversion	24-bit, 44.1/48kHz sample rate
Converter type	24-bit, delta-sigma
System	
Signal	16 channels
Latency	< 0.9 ms
Frequency response	20 Hz to 20 kHz (+0 / -3 dB)
Dynamic range	typical 92 dB
Cabling	
Cables	Shielded CAT5
Cable length	max. 246 ft / 75 m recommended

Portable

NuQ115B-AN

3000 Watt 15" Front Loaded Subwoofer
with KLARK TEKNIK DSP Technology and
ULTRANET Networking

Power Supply

Power consumption	180 W @ 1/8 max power
Voltage (fuses)	
USA / Canada	120 V~, 60 Hz (T 15 A H 250 V)
UK / Australia / Europe	220-240 V~, 50/60 Hz (T 10 A H 250 V)
Korea / China	220-240 V~, 50/60 Hz (T 10 A H 250 V)
Japan	100 V~, 50/60 Hz (T15 A H 250 V)

Enclosure

Dimensions (H x W x D)	519 x 579 x 620 mm (20.4 x 22.8 x 24.4")
Net weight	37 kg (81.5 lbs)
Construction	18 mm (3/4") birch plywood
Finish	Semi matt black paint
Grille	Powder coated perforated steel
Flying hardware	M10 x 16 points

*independent of limiters and driver protection circuits

†Neutrik and powerCON speakON are registered trademarks of Neutrik AG.

‡Only qualified personnel are allowed to modify the AC-Main cord and to adhere to all applicable national standards.

Portable

NuQ115B-AN

3000 Watt 15" Front Loaded Subwoofer
with KLARK TEKNIK DSP Technology and
ULTRANET Networking

Architecture & Engineering Specifications

The loudspeaker shall be of the powered subwoofer type, consisting of one 15" (387 mm) LF driver. Performance specifications of a typical production unit shall meet or exceed the following: frequency response, measured with swept sine wave input, shall be flat within ± 3 dB from 45 Hz to 150 Hz and within -10 dB from 38 Hz to 200 Hz. Nominal dispersion shall be "half space." Maximum amplifier output power shall be 3,000 Watts peak, independent of limiters and driver protection circuits. Maximum SPL (peak), measured at 1 metre with music program, shall be 135 dB. Dimensions: 519 mm high x 579 mm wide x 620 mm deep (20.4" x 22.8" x 24.4"). Net weight: 37 kg (81.5 lbs). The loudspeaker system shall be the **TURBOSOUND** NuQ115B-AN. No other loudspeaker shall be acceptable unless submitted data from an independent test laboratory verifies that the above combined performance / size specifications are equaled or exceeded.

Portable

NuQ115B-AN

3000 Watt 15" Front Loaded Subwoofer
with KLARK TEKNIK DSP Technology and
ULTRANET Networking



Portable

NuQ115B-AN

3000 Watt 15" Front Loaded Subwoofer
with KLARK TEKNIK DSP Technology and
ULTRANET Networking



Portable

NuQ115B-AN

3000 Watt 15" Front Loaded Subwoofer
with KLARK TEKNIK DSP Technology and
ULTRANET Networking



For service, support or more information contact the TURBOSOUND location nearest you:

Europe
MUSIC Tribe Brands UK Ltd.
Tel: +44156 273 2290
Email: CARECrea@music-group.com
CAREEnte@music-group.com
CARELife@music-group.com

USA/Canada
MUSIC Tribe Commercial NV Inc.
Tel: +1 702.800 8290
Email: CARECrea@music-group.com
CAREEnte@music-group.com
CARELife@music-group.com

Japan
MUSIC Tribe Services JP K.K.
Tel: +81 3 6231 0453
Email: CARECrea@music-group.com
CAREEnte@music-group.com
CARELife@music-group.com

MUSIC Tribe accepts no liability for any loss which may be suffered by any person who relies either wholly or in part upon any description, photograph, or statement contained herein. Technical specifications, appearances and other information are subject to change without notice. All trademarks are the property of their respective owners. MIDAS, KLARK TEKNIK, LAB GRUPPEN, LAKE, TANNÖY, TURBOSOUND, TC ELECTRONIC, TC HELICON, BEHRINGER, BUGERA and COOLAUDIO are trademarks or registered trademarks of MUSIC Group IP Ltd. © MUSIC Group IP Ltd. 2018 All rights reserved.