

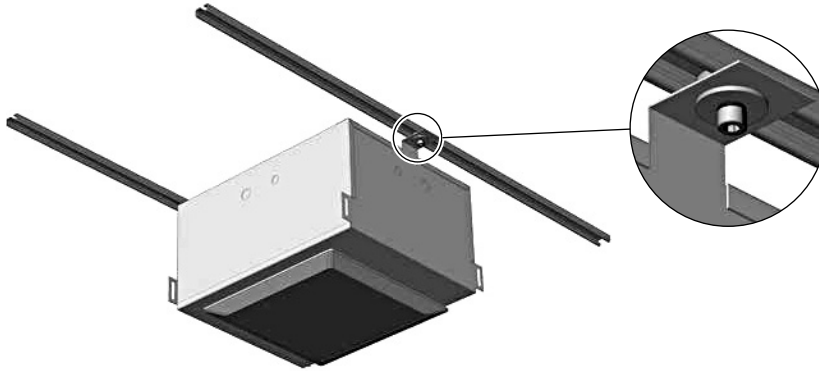
CMS1201 Back can Installation Guide

EN

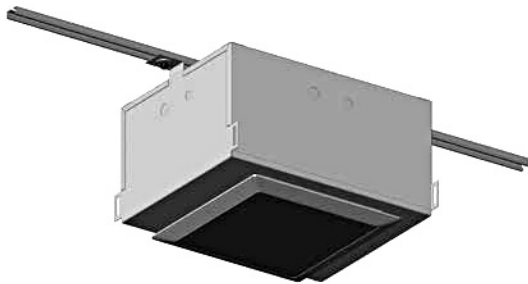
The custom engineered powder coated steel back can has been designed to cater for all conceivable installation possibilities, making the CMS 1201DC extremely versatile. Internally dampened with 11 mm (0.43") OSB2 board, the addition of the back can provides exceptional low frequency performance.

Mounted Using Unistrut roof rail system

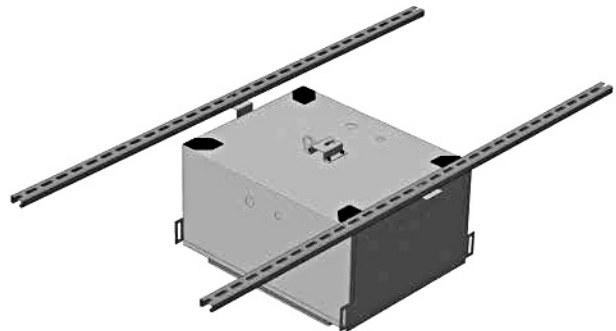
Steel mounting lugs allow for fitting to a Unistrut roof rail system in a variety of configurations both directly or via secondary prefixed cross struts.



Screw at fixing point should use a large series washer to help spread the load.



Speaker mounted to a single rail

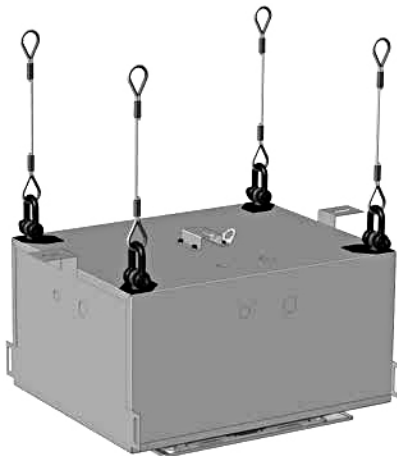


Back can mounted between rails

Flying using Eyebolts

WARNING: As the legal requirements for flying change from country to country, please consult your local safety standards office before installing any product. We also recommend that you thoroughly check any laws and bylaws prior to commencing work.

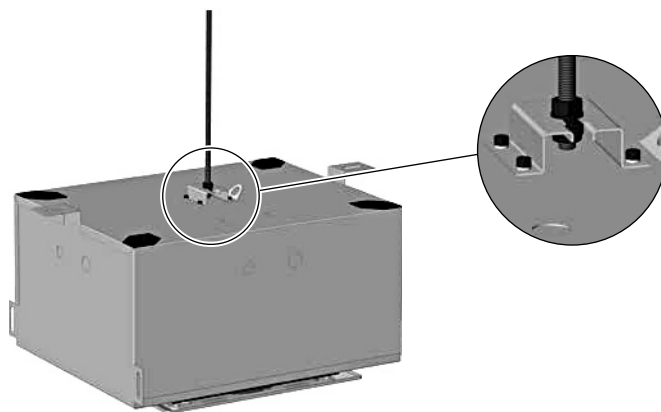
The device can also be hung via 4 top-mounted eye bolts. Rear of back can has mounting points for both M10 and 3/8 UNC threaded eyebolts.



Flying using Screwed Rod

The design also caters for a single point central hang via M10 or 3/8 UNC screwed rod – made easy thanks to the slotted mounting saddle on the top of the back can. If required, a safety wire can be attached to any of the M10 flying points.

To fit the back can to threaded rod support, first run a nut 50 mm (2") up the rod followed by two plain washers and then a locking nut (Nyloc®). Hook the back can on to the rod between the two plain washers. Once the nut has cleared the guide slot the top nut can be locked down to secure.



The operation of your product as part of a flown system, if installed incorrectly and improperly, can potentially expose persons to serious health risks and even death. In addition, please ensure that electrical, mechanical and acoustic considerations are discussed with qualified and certified (by local, state or national authorities) personnel prior to any installation or flying.

Make sure that the product is set up and “flown” by qualified and certified personnel only, using dedicated equipment and original parts and components delivered with the unit. If any parts or components are missing please contact your dealer before attempting to set up the system.

Be sure to observe the local, state and other safety regulations applicable in your country. MUSIC Group assumes no liability for any damage or personal injury resulting from improper use, installation or operation of the product. Regular checks must be conducted by qualified personnel to ensure that the system remains in a secure and stable condition. Make sure that, where the product is flown, the area underneath the product is free of human traffic. Do not fly the product in areas which can be entered or used by members of the public.