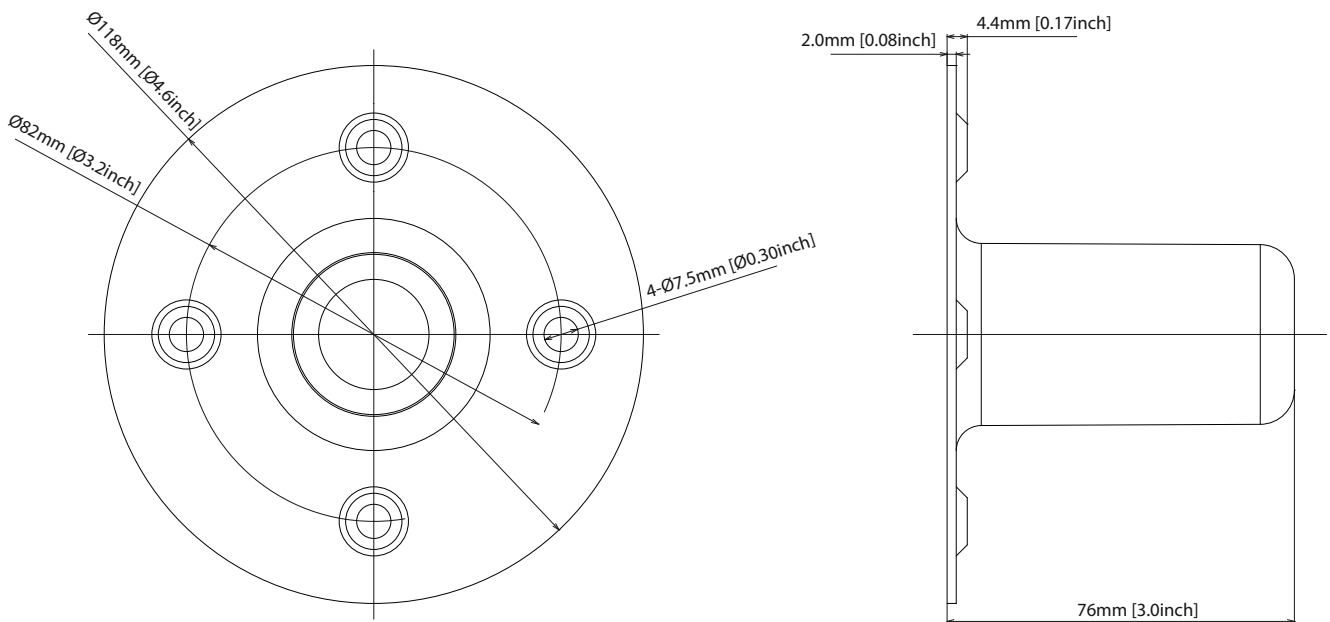


VTH TOP HAT

Pole Mount Top Hat Accessory for VX Loudspeakers

EN



Installation:

1. Remove the 4 screws from the bottom of the VX speaker that hold the blanking plate in place.
2. Remove the blanking plate, then place the Top Hat fixture onto the speaker so that the pole receptacle goes into the speaker box.
3. Align the screw holes over the speaker and replace the original 4 screws to complete the installation.

WARNING: As the legal requirements for flying vary from country to country, please consult your local safety standards office before installing any product. We also recommend that you thoroughly check any laws and bylaws prior to installation. For more detailed information on rigging hardware and safety procedures, please consult the full VX Series Quick Start Guide.