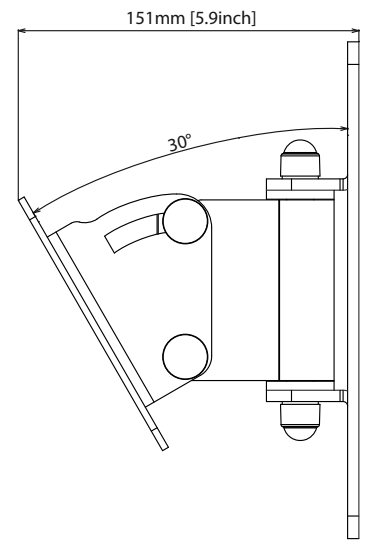
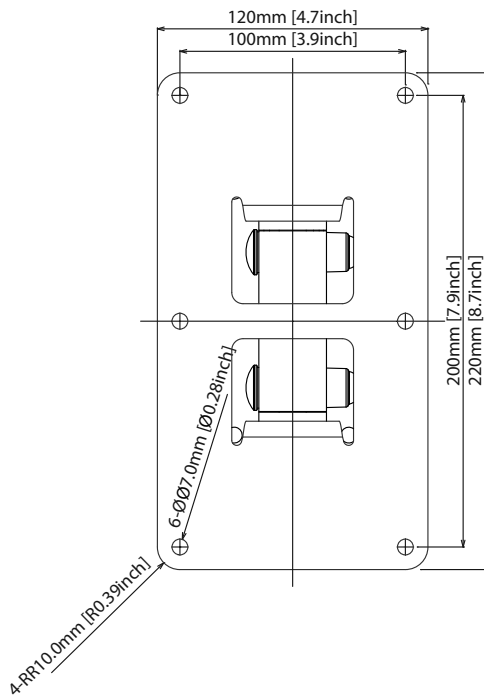
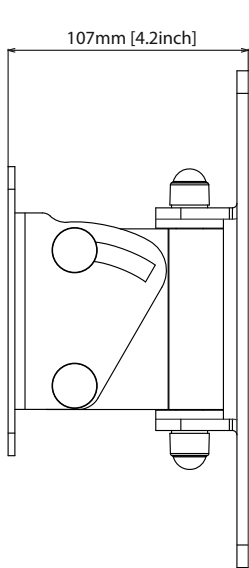
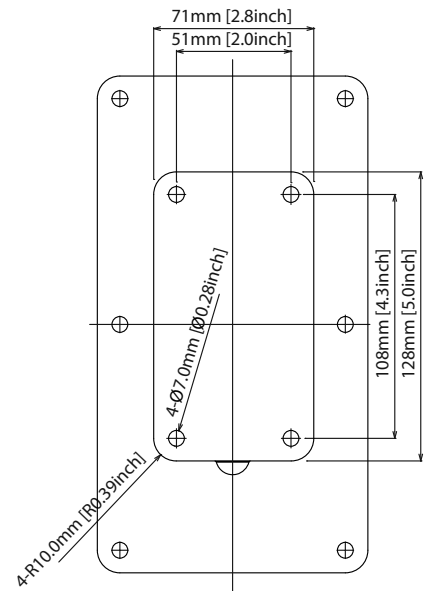


# MULTI ANGLE WALL MOUNT

Multi Angle Wall Mount Bracket for VX 5.2, VX 6 and VX 8 Loudspeakers



**WARNING:** The operation of your product as part of a flown system, if installed incorrectly and improperly, can potentially expose persons to serious health risks and even death. In addition, please ensure that electrical, mechanical and acoustic considerations are discussed with qualified and certified (by local, state or national authorities) personnel prior to any installation or flying. Make sure that the product is set up and “flown” by qualified and certified personnel only, using dedicated equipment and original parts and components delivered with the unit. If any parts or components are missing please contact your dealer before attempting to set up the system.

Be sure to observe the local, state and other safety regulations applicable in your country. MUSIC Group assumes no liability for any damage or personal injury resulting from improper use, installation or operation of the product. Regular checks must be conducted by qualified personnel to ensure that the system remains in a secure and stable condition. Make sure that, where the product is flown, the area underneath the product is free of human traffic. Do not fly the product in areas which can be entered or used by members of the public.

For more detailed information on rigging hardware and safety procedures, please consult the full VX Series Quick Start Guide.