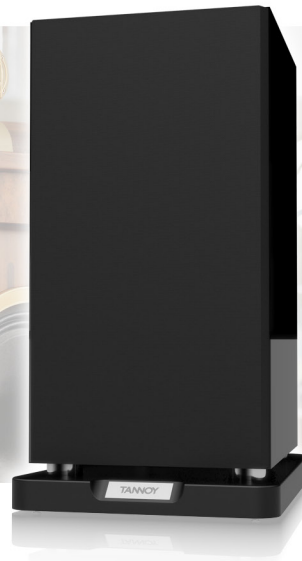


# REVOLUTION XT 6-GB

2 Way Stand Mount 6" Dual Concentric HiFi Loudspeaker (Gloss Black)

- 2 way stand mount loudspeaker for small to medium sized rooms
- Dual Concentric driver technology provides class-leading coherence and point-source imaging
- 6" Dual Concentric driver delivers unrivalled musical articulation and outstanding dynamics
- Highly efficient 89 dB/Watt sensitivity and 240 Watt peak power handling deliver breath-taking dynamics and realism
- Luxury Gloss Black high end cabinet finish
- Magnetic grille mounts provide a smooth and uncluttered front baffle appearance
- New Dual Omnimagnet motor delivers smoother bass performance with exceptional transient attack
- HF and LF drivers share single Omnimagnet optimising phase coherence for natural and expansive sound
- Innovative shallow Torus Ogive waveguide allows rapid wavefront expansion improving high frequency directivity
- Non-parallel trapezoidal cabinet disperses internal standing waves and reflections for low colouration
- Internal bracing provides extra cabinet rigidity for exceptionally tight and controlled bass
- Down-firing port reduces room boundary effects and facilitates easy loudspeaker placement



Audio is a powerful component of the cinematic experience; it envelops you in the action, tugs at your emotions, and brings an unparalleled level of enjoyment to the presentation. The REVOLUTION XT 6-GB 2 Way Stand Mount 6" Dual Concentric HiFi Loudspeaker brings that level of performance to your home environment in a luxurious high end gloss black finish that is as pleasing

to the eye, as it is to the ear. REVOLUTION XT 6-GB elevates your audio content to the levels envisioned by the original mastering engineer – all of which needs to be experienced in all its unabridged beauty, detail, and nuance. A truly great loudspeaker design enables the speaker system to remove itself from the soundscape, and presents the sonic experience in a manner that transports you to a higher plane. Innovation and outstanding performance – that is the REVOLUTION XT 6-GB.



# REVOLUTION XT 6-GB

2 Way Stand Mount 6" Dual Concentric  
HiFi Loudspeaker (Gloss Black)

- Integral plinth provides exceptional stability
- TANNOY - 90 years of British sound heritage and innovation
- 10-Year Warranty Program\*
- Designed and engineered in the U.K.

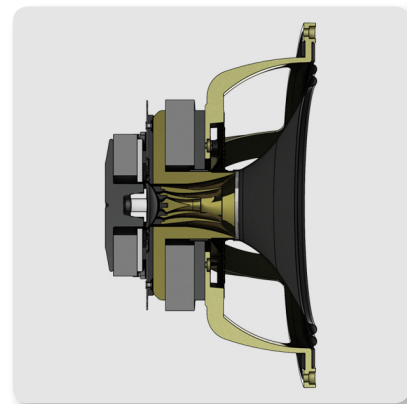


## Studio Quality Audio In Your Home

The Dual Concentric driver used in the REVOLUTION XT 6-GB provides class-leading coherence and point-source imaging for that highly sought after truly natural sound. XT 6-GB's 240-Watt 6" dual driver delivers breathtaking dynamics, powerful transient response and unparalleled realism across a wide frequency range with an almost total lack of colouration. Many of the world's greatest hits have been recorded and mixed using TANNOY studio monitors, and listening to these speakers will turn your living room into a fully-fledged entertainment centre.

## TANNOY Dual Concentric™

At the heart of the REVOLUTION XT 6-GB's superb performance you will find an all-new iteration of our legendary and exclusive TANNOY Dual Concentric Driver Technology. This new 6" Dual Concentric driver offers enhanced dispersion – creating an even more uniform spread of sound around the listening environment. At the same time, the introduction of the Omnimagnet™ configuration allows the high frequency unit to be placed even closer to the acoustic centre of the low frequency unit, which further improves time alignment between the two drive units. These time coherent, point source, and constant directivity dispersion characteristics make the Dual Concentric design an accepted industry standard in studio monitoring. By exceeding the rigorous demands of the recording and mastering environment, XT 6-GB ensures that playback performance in the home for stereo or multi-channel home cinema is strictly controlled to accurately reflect the sound engineer's artistry.



# REVOLUTION XT 6-GB

2 Way Stand Mount 6" Dual Concentric  
HiFi Loudspeaker (Gloss Black)

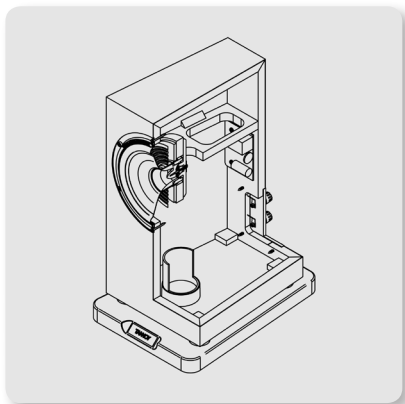


## Torus Ogive Waveguide™

In nature, all sounds emanate from a single point in space. By centrally-locating the high frequency unit of the Dual Concentric configuration, XT 6-GB acoustically replicates the single point sound source, delivering exceptionally natural performance with an incredibly wide imaging “sweet-spot”. Delivery is further enhanced by the implementation of a highly-innovative Torus Ogive Waveguide™, which provides a broad soundstage with remarkably focused image placement.

## Outstanding Components are Just the Beginning

It takes a lot more than quality materials and hand-selected drivers to build a great loudspeaker; it takes engineering experience with a deep understanding of acoustics, dedicated craftsmanship, inspiration, and a healthy dose of imagination. For example, the crossover network employed in the REVOLUTION XT 6-GB divides the frequency spectrum into 2 channels (46 Hz - 1.8 kHz, and 1.8 - 32 kHz) that have been skillfully selected to bring out the best of the separate LF and HF sections of the Dual Concentric driver, respectively – ensuring a truly natural sound.



## Enclosure Design

The non-parallel trapezoidal enclosure disperses internal standing waves and reflections for virtually imperceptible colouration. Additionally, XT 6-GB's rock-solid reflex system boasts extensive bracing for the extreme rigidity that delivers tuneful and musically coherent low frequency performance. The downward-firing, angled reflex port helps to reduce room boundary effects and facilitates easy loudspeaker placement. The integral plinth provides exceptional stability for stand mounting and helps to dissipate unwanted energy that might otherwise detract from REVOLUTION XT 6-GB's pristine performance.

# REVOLUTION XT 6-GB

2 Way Stand Mount 6" Dual Concentric  
HiFi Loudspeaker (Gloss Black)

## The Legacy Lives On

TANNOY's long and storied legacy lives on in the new REVOLUTION XT 6-GB 2 Way Stand Mount 6" Dual Concentric HiFi Loudspeaker; a legacy that has endured the test of time and adapted with the evolution of technology. Whilst the bass is quite deep for the size of the enclosure relative to the driver size, the speed and leading impulse is exciting and rewarding. Vocals are a little forward, as with many monitoring speakers, allowing the nuances of the voices to be fully appreciated. The smooth crossover transition between the LF and HF sections of the Dual Concentric driver provides amazing clarity with powerfully dynamic transient response. REVOLUTION XT 6-GB simply has to be experienced...



## You Are Covered

We always strive to provide the best possible Customer Experience. Our products are made in our own MUSICTribe factory using state-of-the-art automation, enhanced production workflows and quality assurance labs with the most sophisticated test equipment available in the world. As a result, we have one of the lowest product failure rates in the industry, and we confidently back it up with a generous [Warranty program](#).

# REVOLUTION XT 6-GB

2 Way Stand Mount 6" Dual Concentric  
HiFi Loudspeaker (Gloss Black)

## Technical Specifications

### Performance

Recommended amplifier power (watt RMS)	25 - 120
--	----------

Continuous power handling (watt RMS)	60
--------------------------------------	----

Peak power handling (watt)	240
----------------------------	-----

Sensitivity (2.83 volt @ 1 m)	89 dB
-------------------------------	-------

Nominal impedance (ohm)	8
-------------------------	---

Frequency response (-6 dB)	46 Hz - 32 kHz
----------------------------	----------------

### Drive Units

Dual Concentric high frequency	25 mm (1") Linear PEI dome with Torus Ogive WaveGuide and Omnimagnet technology
--------------------------------	---

Dual Concentric low frequency	150 mm (6") multi-fibre paper 44 mm (1.75") voice coil
-------------------------------	---

Bass driver	—
-------------	---

### Crossover

Crossover frequency	1.8 kHz
---------------------	---------

Crossover type	Passive low loss 2nd order low pass, 1st order high pass
----------------	---

### Construction

Enclosure type	Downward ported reflex
----------------	------------------------

Volume	10.8 l (0.38 cu. ft.)
--------	-----------------------

Dimensions (H x W x D) (incl. plinth)	400.5 x 221 x 302 mm (15.8 x 8.7 x 11.9")
--	--

Net weight	7.5 kg (16.4 lbs)
------------	-------------------

Finish	Gloss Black
--------	-------------

# REVOLUTION XT 6-GB

2 Way Stand Mount 6" Dual Concentric  
HiFi Loudspeaker (Gloss Black)



# REVOLUTION XT 6-GB

2 Way Stand Mount 6" Dual Concentric  
HiFi Loudspeaker (Gloss Black)



# REVOLUTION XT 6-GB

2 Way Stand Mount 6" Dual Concentric  
HiFi Loudspeaker (Gloss Black)





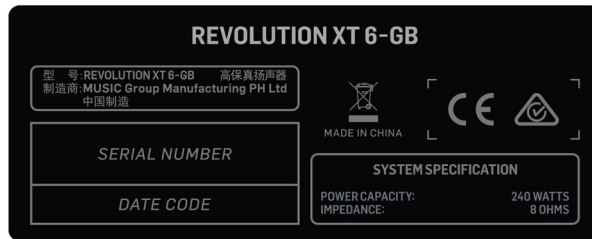
# REVOLUTION XT 6-GB

2 Way Stand Mount 6" Dual Concentric  
HiFi Loudspeaker (Gloss Black)



# REVOLUTION XT 6-GB

2 Way Stand Mount 6" Dual Concentric  
HiFi Loudspeaker (Gloss Black)



For service, support or more information contact the TANNOY location nearest you:

**Europe**  
**MUSIC Tribe Brands UK Ltd.**  
 Tel: +44156 273 2290  
 Email: CARECrea@music-group.com  
 CAREEnte@music-group.com  
 CARELife@music-group.com

**USA/Canada**  
**MUSIC Tribe Commercial NV Inc.**  
 Tel: +1 702 800 8290  
 Email: CARECrea@music-group.com  
 CAREEnte@music-group.com  
 CARELife@music-group.com

**Japan**  
**MUSIC Tribe Services JP K.K.**  
 Tel: +81 3 6231 0453  
 Email: CARECrea@music-group.com  
 CAREEnte@music-group.com  
 CARELife@music-group.com

MUSIC Tribe accepts no liability for any loss which may be suffered by any person who relies either wholly or in part upon any description, photograph, or statement contained herein. Technical specifications, appearances and other information are subject to change without notice. All trademarks are the property of their respective owners. MIDAS, KLARK TEKNIK, LAB GRUPPEN, LAKE, TANNNOY, TURBOSOUND, TC ELECTRONIC, TC HELICON, BEHRINGER, BUGERA and COOLAUDIO are trademarks or registered trademarks of MUSIC Group IP Ltd. © MUSIC Group IP Ltd. 2018 All rights reserved.