

HiFi

PRESTIGE AUTOGRAPH MINI-OW

2 Way Stand Mount 4" Dual Concentric
HiFi Loudspeaker (Oiled Walnut)



- 2 way stand mount loudspeaker for small sized rooms
- A miniature and authentic recreation of the famous 1950's TANNOY AUTOGRAPH design
- Dual Concentric driver technology provides class-leading coherence and point-source imaging
- 4" driver with 200 Watt peak power handling delivers incredible dynamics for the size of enclosure
- Point source Tulip Waveguide with symmetrical dispersion for accurate stereo imaging
- 19 mm titanium dome driver provides exceptional wideband high frequency clarity and articulation
- Handcrafted, oiled walnut veneered cabinet with solid walnut trim provides a unique and timeless piece of furniture
- Low frequency paper pulp cone with rubber surround provides natural sounding midrange and excellent bass extension
- Hard wired crossovers featuring proprietary TANNOY capacitors and low loss laminated core inductors delivering a more natural and cohesive sound
- Highly conductive, low resistance internal wiring maximises signal transparency
- High density wood cabinet provides extreme rigidity to control low frequency performance and minimise midrange colouration

Audio is a powerful component of the cinematic experience; it envelops you in the action, tugs at your emotions, and brings an unparalleled level of enjoyment to the presentation. The AUTOGRAPH MINI-OW 2 Way Stand Mount 4" Dual Concentric HiFi Loudspeaker brings that level of performance to your home environment in a luxurious high end oiled walnut finish that is as pleasing to the eye, as it is to the ear. AUTOGRAPH MINI-OW elevates your audio content to the levels envisioned by the original mastering engineer – all of which needs to be experienced in all its unabridged beauty, detail, and nuance. A truly great loudspeaker design enables the speaker system to remove itself from the soundscape, and presents the sonic experience in a manner that transports you to a higher plane. Innovation and outstanding performance – that is the AUTOGRAPH MINI-OW.



TANNOY

HiFi

PRESTIGE

AUTOGRAPH MINI-OW

2 Way Stand Mount 4" Dual Concentric
HiFi Loudspeaker (Oiled Walnut)

- High loss internal damping panels further minimise cabinet colouration
- Rear ported for a richer and deeper bass response
- Oatmeal grille cloth contributes to legacy styling
- TANNOY - 90 years of British sound heritage and innovation
- 10-Year Warranty Program*
- Designed and manufactured in the U.K.

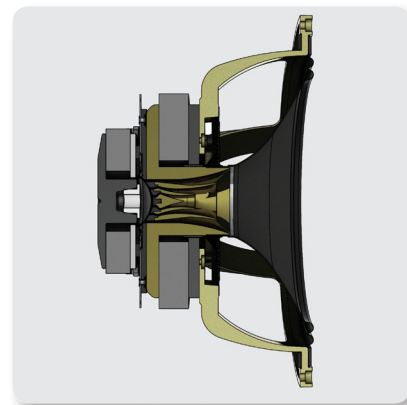


Studio Quality Audio In Your Home

AUTOGRAPH MINI-OW provides class-leading coherence and point-source imaging for that highly sought after truly natural sound. The 200-Watt 4" LF dual driver with 19 mm titanium HF dome driver delivers breathtaking dynamics, powerful transient response and unparalleled realism across a wide frequency range with an almost total lack of colouration. Many of the world's greatest hits have been recorded and mixed using TANNOY studio monitors, and listening to these speakers will turn your living room into a fully-fledged entertainment centre.

TANNOY Dual Concentric

At the heart of the AUTOGRAPH MINI-OW's superb performance you will find an all-new iteration of our legendary and exclusive TANNOY Dual Concentric Driver Technology. The new 4" Dual Concentric driver offers enhanced dispersion – creating an even more uniform spread of sound around the listening environment. At the same time, the introduction of the Omnimagnet configuration allows the high frequency unit to be placed even closer to the acoustic centre of the low frequency unit, which further improves time alignment between the two drive units. These time coherent, point source, and constant directivity dispersion characteristics make the Dual Concentric design an accepted industry standard in studio monitoring. By exceeding the rigorous demands of the recording and mastering environment, AUTOGRAPH MINI-OW ensures that playback performance in the home for stereo or multi-channel home cinema is strictly controlled to accurately reflect the sound engineer's artistry.



*All third-party trademarks are the property of their respective owners. Their use neither constitutes a claim of the trademark nor affiliation of the trademark owners with MUSIC Tribe. Product names are mentioned solely as a reference for compatibility, effects and/or components. Warranty details can be found at musictribe.

HiFi

PRESTIGE AUTOGRAPH MINI-OW

2 Way Stand Mount 4" Dual Concentric
HiFi Loudspeaker (Oiled Walnut)

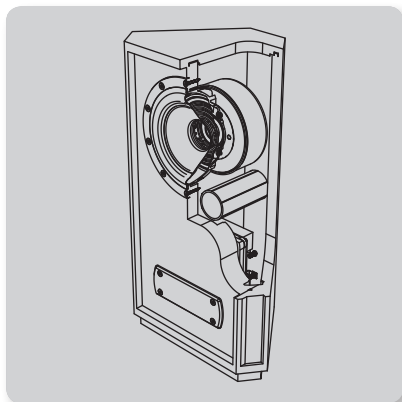


Point Source Tulip Waveguide

In nature, all sounds emanate from a single point in space. By centrally-locating the high frequency unit of the Dual Concentric configuration, AUTOGRAPH MINI-OW acoustically replicates the single point sound source, delivering exceptionally natural performance with an incredibly wide imaging "sweet-spot". Delivery is further enhanced by the implementation of a highly-innovative point source Tulip Waveguide with symmetrical dispersion, which provides a broad soundstage with remarkably focused and accurate stereo imaging.

Outstanding Components are Just the Beginning

It takes a lot more than quality materials and hand-selected drivers to build a great loudspeaker; it takes engineering experience with a deep understanding of acoustics, dedicated craftsmanship, inspiration, and a healthy dose of imagination. For example, the internal crossover network features custom engineered **TANNOY** capacitors, low loss laminated core inductors and improved, closer tolerance wirewound resistors – ensuring a truly natural sound with a frequency response of 106 Hz to 20 kHz +/-3 dB (60 Hz to 20 kHz -10 dB).



Enclosure Design

AUTOGRAPH MINI-OW's handcrafted, oiled walnut veneered cabinet with solid walnut trim provides a unique and timeless piece of furniture that will complement even the most sophisticated environment. The non-parallel enclosure design disperses internal standing waves and reflections for virtually imperceptible colouration, plus is constructed of high density wood to control low frequency performance and eliminate the mid-frequency ringing effects often found in competing products. Additionally, AUTOGRAPH MINI-OW's rock-solid reflex system boasts extensive bracing that delivers tuneful and musically coherent low frequency performance. The rear-firing, reflex port helps to reduce room boundary effects and facilitates easy loudspeaker placement.

HiFi

PRESTIGE AUTOGRAPH MINI-OW

2 Way Stand Mount 4" Dual Concentric
HiFi Loudspeaker (Oiled Walnut)

The Legacy Lives On

TANNOY's long and storied legacy lives on in the new AUTOGRAPH MINI-OW 2 Way Stand Mount 4" Dual Concentric HiFi Loudspeaker; a legacy that has endured the test of time and adapted with the evolution of technology. Whilst the bass is quite deep for the size of the enclosure relative to the driver size, the speed and leading impulse is exciting and rewarding. Vocals are a little forward, as with many monitoring speakers, allowing the nuances of the voices to be fully appreciated. The smooth transition between the LF and HF sections of the Dual Concentric driver provides amazing clarity with powerfully dynamic transient response. AUTOGRAPH MINI-OW simply has to be experienced...



You Are Covered

We always strive to provide the best possible Customer Experience. Our products are made in our own MUSIC Tribe factory using state-of-the-art automation, enhanced production workflows and quality assurance labs with the most sophisticated test equipment available in the world. As a result, we have one of the lowest product failure rates in the industry, and we confidently back it up with a generous Warranty program.

HiFi

PRESTIGE AUTOGRAPH MINI-OW

2 Way Stand Mount 4" Dual Concentric
HiFi Loudspeaker (Oiled Walnut)

Technical Specifications

System

Frequency response (-3 dB) ¹	106 Hz to 20 kHz +/-3 dB 60 Hz to 20 kHz -10 dB
Nominal dispersion	90° conical @ -6 dB points
Power handling (IEC)	50 W continuous, 200 W peak
Sensitivity	85 dB (1 W @ 1 m)
Maximum SPL	102 dB continuous, 108 dB peak
Impedance	8 Ω
Components	1 x 4.5" dual concentric full range transducer

Enclosure

Connectors	2 x binding posts
------------	-------------------

Physical

Dimensions (H x W x D)	356 x 209 x 156 mm (14 x 8.2 x 6.1")
Net weight	4.4 kg (9.7 lbs)
Construction	Solid wood + MDF
Finish	Oiled walnut veneer with solid walnut trim
Grille	Oatmeal grille cloth

Accessories

Parts	8 x rubber feet 2 x foam bung
-------	----------------------------------

HiFi

PRESTIGE AUTOGRAPH MINI-OW

2 Way Stand Mount 4" Dual Concentric
HiFi Loudspeaker (Oiled Walnut)



HiFi

PRESTIGE AUTOGRAPH MINI-OW

2 Way Stand Mount 4" Dual Concentric
HiFi Loudspeaker (Oiled Walnut)



HiFi

PRESTIGE AUTOGRAPH MINI-OW

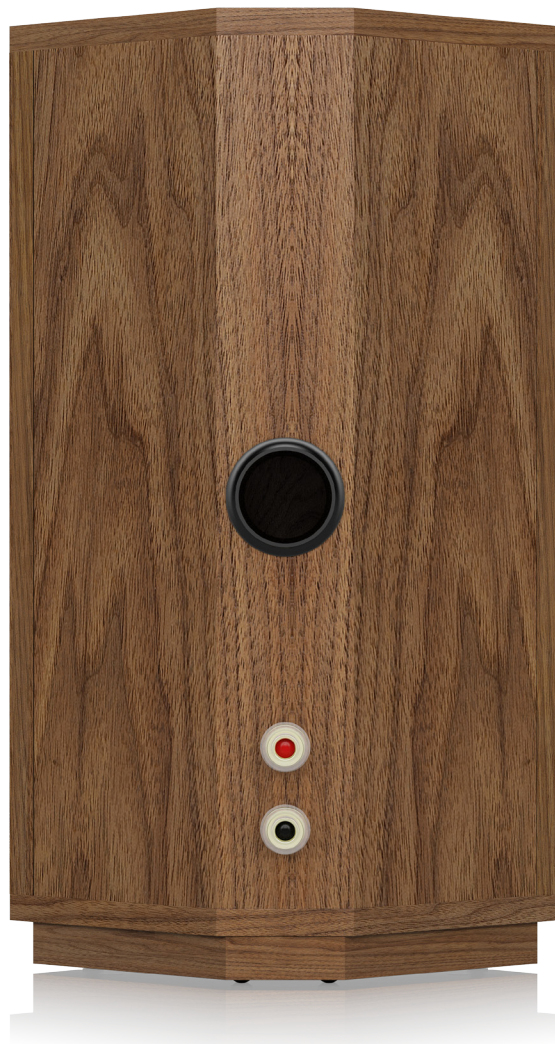
2 Way Stand Mount 4" Dual Concentric
HiFi Loudspeaker (Oiled Walnut)



HiFi

PRESTIGE AUTOGRAPH MINI-OW

2 Way Stand Mount 4" Dual Concentric
HiFi Loudspeaker (Oiled Walnut)



For service, support or more information contact the TANNOY location nearest you:

Europe
MUSIC Tribe Brands UK Ltd.
Tel: +44156 273 2290
Email: CARECrea@music-group.com
CAREEnte@music-group.com
CARELife@music-group.com

USA/Canada
MUSIC Tribe Commercial NV Inc.
Tel: +1 702 800 8290
Email: CARECrea@music-group.com
CAREEnte@music-group.com
CARELife@music-group.com

Japan
MUSIC Tribe Services JP K.K.
Tel: +81 3 6231 0453
Email: CARECrea@music-group.com
CAREEnte@music-group.com
CARELife@music-group.com

MUSIC Tribe accepts no liability for any loss which may be suffered by any person who relies either wholly or in part upon any description, photograph, or statement contained herein. Technical specifications, appearances and other information are subject to change without notice. All trademarks are the property of their respective owners. MIDAS, KLARK TEKNIK, LAB GRUPPEN, LAKE, TANNOY, TURBOSOUND, TC ELECTRONIC, TC HELICON, BEHRINGER, BUGERA and COOLAUDIO are trademarks or registered trademarks of MUSIC Tribe Global Brands Ltd. © MUSIC Tribe Global Brands Ltd. 2018 All rights reserved.

TANNOY