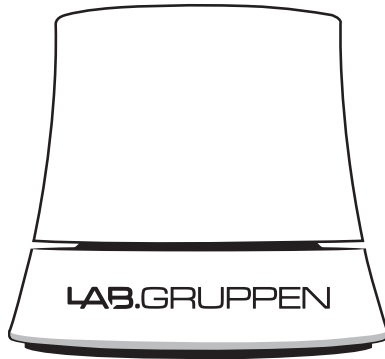


Quick Start Guide

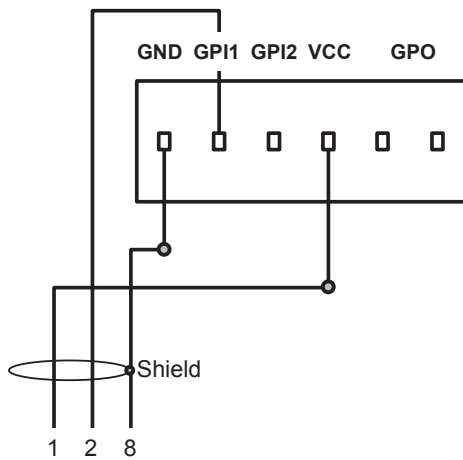
LAB.LEVEL4

Tabletop Volume Controller for Commercial Install Series and LUCIA Amplifiers

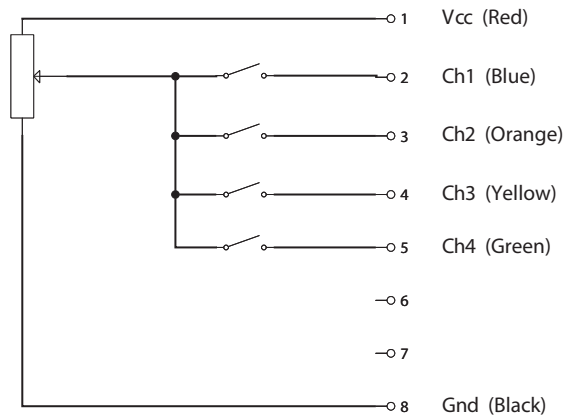


The LAB.LEVEL4 volume controller provides high resolution volume control of up to 4 LUCIA series amplifiers. Wire the RJ45 connector to the amplifier's GPI port as shown below. Consult the LUCIA documentation for specific GPI wiring.

Wiring for 6-pin GPI port on LUCIA series:



Wiring for RJ45 connector:



LEGAL DISCLAIMER

Music Tribe accepts no liability for any loss which may be suffered by any person who relies either wholly or in part upon any description, photograph, or statement contained herein. Technical specifications, appearances and other information are subject to change without notice. All trademarks are the property of their respective owners. Midas, Klark Teknik, Lab Gruppen, Lake, Tannoy, Turbosound, TC Electronic, TC Helicon, Behringer, Bugera, Auratone and Coolaudio are trademarks or registered trademarks of Music Tribe Global Brands Ltd. © Music Tribe Global Brands Ltd. 2020 All rights reserved.

LIMITED WARRANTY

For the applicable warranty terms and conditions and additional information regarding Music Tribe's Limited Warranty, please see complete details online at musictribe.com/warranty.

Zhongshan Eurotec Electronics Limited

No. 10 Wanmei Road, South China Modern Chinese Medicine Park, Nanlang Town, 528451, Zhongshan City, Guangdong Province, China