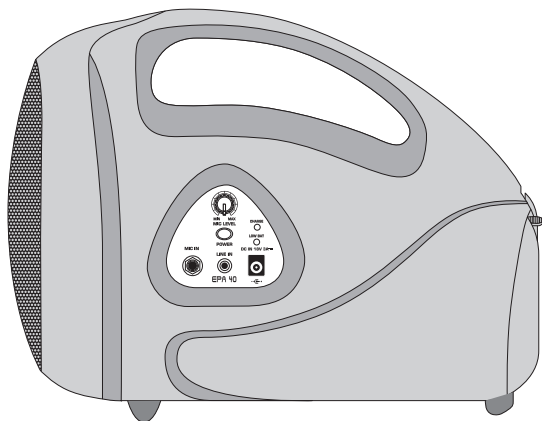


EN

ES

FR



Quick Start Guide (Check out behringer.com for more information)



EUROSOUND MEGAPHONE XT

40-Watt Megaphone with Microphone and Rechargeable Battery

EN EN Safety Information

Please read this Quick Start Guide carefully

Please take the time to read these instructions carefully. These instructions will help you set up and operate your system properly and enjoy its advanced features. Please save these instructions for future reference.

WARNINGS

- To reduce the risk of fire or electrical shock, do not expose the product to rain or moisture.
- To prevent electric shock, match the wide blade of the line cord plug to the wide slot of the AC (mains) receptacle. Insert fully.
- Do not expose this apparatus to dripping or splashing, and do not place objects filled with liquids, such as vases, on or near the apparatus. As with any electronic product, use care not to spill liquids into any part of the system. Liquids can cause a failure and/or a fire hazard.
- Do not place any flame sources, such as lighted candles, on or near the apparatus.
- Keep the remote control battery away from children. It may cause a fire or chemical burn if mishandled. Do not recharge, disassemble, heat above 100°C (212°F), or incinerate. Dispose of used batteries promptly. Replace only with a battery of the correct type and model number.
- Danger of explosion if battery is incorrectly replaced.
- Contains small parts that may be a choking hazard. Not suitable for children under age 3.

- Please dispose of used batteries properly, following any local regulations. Do not incinerate.



Service and repair should be carried out only by qualified service personnel only. To reduce the risk of electric shock do not perform any servicing other than that contained in the operation instructions. Repairs must be performed by qualified service personnel only.



This symbol, wherever it appears, alerts you to the presence of uninsulated dangerous voltage inside the enclosure—voltage that may be sufficient to constitute a risk of shock.



This symbol alerts the user to the presence of important operating and maintenance instructions in this Quick Start Guide.

Notes

- The product label is located on the back of the product.
- Where the mains plug or appliance coupler is used as the disconnect device, such disconnect device shall remain readily operable.
- This product must be used indoors. It is neither designed nor tested for use outdoors, in recreation vehicles, or on boats.
- Make no modifications to the system or accessories. Unauthorized alterations may compromise safety, regulatory compliance, and system performance.

IMPORTANT SAFETY INSTRUCTIONS

- Read these instructions for all components before using this product.
- Keep these instructions for future reference.
- Heed all warnings on the product and in the documentation.
- Follow all instructions.
- Do not use this apparatus near water or moisture. Do not use this product near a bathtub, washbowl, kitchen sink, laundry tub, in a wet basement, near a swimming pool, or anywhere else that water is present.
- Clean only with a dry cloth and as directed by MUSIC Group. Unplug this product from the wall outlet before cleaning.
- Do not block any ventilation openings. Install in accordance with the manufacturer's instructions. To ensure reliable operation of the product and to protect it from overheating, put the product in a position and location that will not interfere with its proper ventilation. For example, do not place the product on a bed, sofa, or similar surface that may block the ventilation openings. Do not put it in a built-in system, such as a bookcase or a cabinet that may keep air from flowing through its ventilation openings.
- Do not install near any heat sources, such as radiators, heat registers, stoves, or other apparatus (including amplifiers) that produce heat.
- Only use attachments/accessories specified by the manufacturer.
- Protect the power cord from being walked on or pinched, particularly at plugs, convenience receptacles, and the point where they exit from the apparatus.
- Unplug this apparatus during lightning storms or when unused for long periods of time – to prevent damage to this product.

12. Refer all servicing to qualified service personnel. Servicing is required when the apparatus has been damaged in any way: such as power supply cord or plug is damaged; liquid has been spilled or objects have fallen into the apparatus; the apparatus has been exposed to rain or moisture, does not operate normally, or has been dropped. Do not attempt to service this product yourself. Opening or removing covers may expose you to dangerous voltages or other hazards. Please call MUSIC Group (BEHRINGER) to be referred to an authorized service center near you.

13. To prevent risk of fire or electric shock, avoid overloading wall outlets, extension cords, or integral convenience receptacles.

14. Do not let objects or liquids enter the product as they may touch dangerous voltage points or short-out parts that could result in a fire or electric shock.

15. See product enclosure for safety related markings.

16. Use proper power sources. Plug the product into a proper power source, as described in the operating instructions or as marked on the product. Before plugging the unit into a power socket, please make sure you are using the correct mains voltage for your particular model. Faulty fuses must be replaced with fuses of the same type and rating without exception.

LEGAL DISCLAIMER

TECHNICAL SPECIFICATIONS AND APPEARANCES ARE SUBJECT TO CHANGE WITHOUT NOTICE AND ACCURACY IS NOT GUARANTEED. BEHRINGER IS PART OF THE MUSIC GROUP (MUSIC-GROUP.COM). ALL TRADEMARKS ARE THE PROPERTY OF THEIR RESPECTIVE OWNERS. MUSIC GROUP ACCEPTS NO LIABILITY FOR ANY LOSS WHICH MAY BE SUFFERED BY ANY PERSON WHO RELIES EITHER WHOLLY OR IN PART UPON ANY DESCRIPTION, PHOTOGRAPH OR STATEMENT CONTAINED HEREIN. COLORS AND SPECIFICATIONS MAY

VARY FROM ACTUAL PRODUCT. MUSIC GROUP PRODUCTS ARE SOLD THROUGH AUTHORIZED FULLFILLERS AND RESELLERS ONLY. FULLFILLERS AND RESELLERS ARE NOT AGENTS OF MUSIC GROUP AND HAVE ABSOLUTELY NO AUTHORITY TO BIND MUSIC GROUP BY ANY EXPRESS OR IMPLIED UNDERTAKING OR REPRESENTATION. THIS MANUAL IS COPYRIGHTED. NO PART OF THIS MANUAL MAY BE REPRODUCED OR TRANSMITTED IN ANY FORM OR BY ANY MEANS, ELECTRONIC OR MECHANICAL, INCLUDING PHOTOCOPYING AND RECORDING OF ANY KIND, FOR ANY PURPOSE, WITHOUT THE EXPRESS WRITTEN PERMISSION OF MUSIC GROUP IP LTD.

ALL RIGHTS RESERVED.

© 2012 MUSIC Group IP Ltd.

Trident Chambers, Wickhams Cay, P.O. Box 146, Road Town, Tortola, British Virgin Islands

LIMITED WARRANTY

§ 1 Limited Warranty

- Your Eurosound product is covered by a limited warranty for a period of ninety (90) days from the date of purchase from a Eurosound reseller authorized by MUSIC Group. This Limited Warranty is valid only if you purchased the product from a MUSIC Group authorized Reseller.

- MUSIC Group warrants the mechanical and electronic components of this product to be free of defects in material and workmanship if used under normal operating conditions. This Limited Warranty is applicable for ninety (90) days from the original date of retail purchase, unless your country requires a longer statutory warranty, in which case the statutory warranty shall apply.

If the product displays any defects within the specified warranty period and that defect is not excluded under clause 4, your product will be

replaced using new or reconditioned product or parts. In the event that the product is replaced, this Limited Warranty shall apply to the replacement product for the remaining initial warranty period from the date of purchase of the original product only.

- Warranty claims other than those indicated above are expressly excluded.

IMPORTANT

We ask that you please retain your purchase receipt. This is your proof of purchase and your Limited Warranty will commence from this date. If you do not retain your purchase receipt then this Limited Warranty will be void. In the unlikely event that you require to exercise this Limited Warranty, the retailer will need you to provide a copy of this purchase receipt. Without this receipt, the retailer will unfortunately not be able to process your request for warranty repair.

§ 2 Online Registration

Please do remember to register your new MUSIC Group equipment. This can quickly be completed by visiting www.music-group.com or its related brands.

§ 3 Warranty Service; Return Authorization Number

- The initial stage of our warranty service, and the quickest means of achieving a solution, is to check if the problem can be resolved by our Online Service. If you are not able to resolve your issue through this route and you need to request warranty service, please return the product with its original packing and sales receipt to the retailer where the product was purchased.
- No returns can be accepted without a valid sales receipt.
- It should be noted that shipments into MUSIC Group or one of our

EN

authorized Service Centers for warranty repair cannot be accepted.

§ 4 Warranty Limitations and Exclusions

- 1 This Limited Warranty does not cover consumable parts. These include, but are not limited to; fuses, batteries, cables, illuminants, guitar strings, etc.
- 2 This Limited Warranty does not cover the product if it has been electronically or mechanically modified in any way. If the product needs to be modified or adapted in order to comply with applicable local technical or safety standards in any country which is not the country for which the product was originally developed and manufactured, this modification / adaptation shall not be considered a defect in materials or workmanship. This Limited Warranty does not cover any such modification / adaptation, regardless of whether it was carried out professionally or not. Under the terms of this Limited Warranty, MUSIC Group shall not be held responsible for any cost resulting from such a modification / adaptation.
- 3 This Limited Warranty covers only the product hardware. It does not cover technical assistance for hardware or software usage. In addition it does not cover any software products whether or not contained in the purchased product package. Any software is provided only in the condition and format contained with the product, unless expressly provided for in any enclosed software limited warranty.
- 4 This Limited Warranty is completely invalid if the factory applied serial number has been altered or removed from the product.

- 5 Free inspections and maintenance / repair work are expressly excluded from this Limited Warranty. If an inspection of the product by MUSIC Group shows that the defect in question is not covered by the Limited Warranty, the inspection costs are payable by the customer.
- 6 Product damage or defects caused by the following conditions are not covered by this Limited Warranty:
 - improper handling, neglect or failure to operate the unit in compliance with the instructions given in MUSIC Group user or service manuals
 - connection or operation of the unit in any way that does not comply with the technical or safety regulations applicable in the country where the product is used
 - any Act of God or Nature (such accident, fire, flood, etc.) or any other condition that is beyond the control of MUSIC Group.
- 7 Any repair or opening of the unit carried out by unauthorized personnel (including the user) will void the Limited Warranty completely.
- 8 Products which do not meet the terms of this Limited Warranty will be repaired exclusively at the buyer's expense.
- 9 Authorized MUSIC Group Resellers do not sell new products directly in online auctions. Purchases made through an online auction are on a "buyer beware" basis. Online auction confirmations or sales receipts are not accepted for warranty verification and MUSIC Group will not repair or replace any product purchased through an online auction.

§ 5 Warranty Transferability

This Limited Warranty is extended exclusively to the original buyer (customer of authorized Reseller) and is not transferable to anyone who may subsequently purchase this product. No other person (distributor, dealer, fulfiller, retailer etc.) shall be entitled to give any warranty promise on behalf of MUSIC Group.

§ 6 Claim for Damage

Subject only to the operation of statutory applicable local laws, MUSIC Group shall have no liability to the buyer under this Limited Warranty for any consequential or indirect loss or damage of any kind. In no event shall the liability of MUSIC Group under this Limited Warranty exceed the invoiced value of the product.

§ 7 Limitation of Liability

This Limited Warranty is the complete and exclusive warranty between you and MUSIC Group. It supersedes all other written or oral communications related to this product. MUSIC Group provides no other warranties for this product.

§ 8 Other Warranty Rights and National Law

- 1 This Limited Warranty does not exclude or limit the buyer's statutory rights as a consumer in any way.
- 2 The Limited Warranty regulations mentioned herein are applicable unless they constitute an infringement of applicable statutory local laws, in which case the warranty shall be deemed modified to the extent necessary to comply with local law.
- 3 This Limited Warranty does not detract from any statutory seller's obligations in regard to any lack of conformity of the product and any hidden defect.

§ 9 Amendment

Warranty service conditions are subject to change without notice. Please refer regularly to the latest warranty terms and conditions, and additional information regarding MUSIC Group's Limited Warranty, at www.music-group.com or its related brands / products.

Customer Care

Register online. Please register your new MUSIC Group equipment right after you purchase it by visiting www.music-group.com.

Proof of purchase. We ask that you please retain your purchase receipt. This is your proof of purchase and your Limited Warranty will commence from this date. If you do not retain your purchase receipt then the Limited Warranty will be void.

If your product fails. In the unlikely event that your product fails or does not perform as expected, please return the product to the retailer where you made the purchase. Please make sure that you present them with a copy of the original sales receipt for an exchange or refund.

Questions? For further questions, contact your local MUSIC Group (BEHRINGER) dealer. To contact MUSIC Group directly, see the contact information included in the carton.

ES Información de seguridad

Lea cuidadosamente este Manual de arranque rápido

Dedique un rato a leer cuidadosa y completamente estas instrucciones. Estas instrucciones le ayudarán a configurar y usar correctamente este aparato y a disfrutar de sus avanzadas funciones. Conserve estas instrucciones para cualquier referencia que tenga que hacer a ellas en el futuro.

ADVERTENCIAS

- Para reducir el riesgo de incendios o descargas eléctricas, no permita que este aparato quede expuesto a la lluvia o la humedad.
- Para evitar el riesgo de descargas eléctricas, introduzca completamente todos los bornes del enchufe de alimentación en la salida de corriente alterna.
- No permita que este aparato quede expuesto a salpicaduras de líquidos, y no coloque objetos que los contengan, como jarrones, cerca de este aparato. Al igual que ocurre con cualquier otro aparato electrónico, tenga cuidado de no derramar ningún líquido en ninguna parte del sistema. Los líquidos pueden dar lugar a una avería y al riesgo de un incendio que ocurre con cualquier otro apaer. Los langan, como jarrones, cerca de este aparato. Al igual que ocurre con cualquier otro apa.
- No coloque ninguna fuente de llama, como puede ser una vela o candelabro, cerca de este aparato.
- Mantenga las pilas del control remoto fuera del alcance de los niños. Existe el riesgo de un incendio o quemadura química en caso de un manejo inadecuado de las mismas. No trate de recargar, desmontar, incinerar o calentar por encima de los 100° C estas pilas. Deshágase de las pilas usadas lo antes posible, siguiendo siempre las normas de retirada o reciclaje establecidas en su país o región. Sustituya esta pila únicamente por otra de idéntico tipo y referencia.
- Existe el riesgo de explosión si la pila es sustituida de forma incorrecta.
- Este aparato contiene piezas de pequeño tamaño que pueden suponer un riesgo de ahogamiento. No permita que lo utilicen niños de edad inferior a los 3 años.

- Deshágase de las pilas de la forma adecuada, siguiendo todas las indicaciones relativas al reciclaje o retirada establecidas en su país o ciudad. No las incinere.



Cualquier mantenimiento y reparación deberá ser realizado únicamente por un servicio técnico oficial. Para reducir el riesgo de una descarga eléctrica, no realice ningún tipo de mantenimiento a excepción del que venga detallado en este manual de instrucciones.



Siempre que aparezca este símbolo, servirá como advertencia de la presencia de voltajes peligrosos no aislados dentro de la carcasa—voltajes que pueden ser de magnitud suficiente como para constituir un riesgo de descarga eléctrica.



Este símbolo pretende advertir al usuario de la presencia de instrucciones de uso y mantenimiento importantes en este Manual de arranque rápido.

Notas

- La etiqueta de este aparato está ubicada en la parte trasera del mismo.
- En los casos en los que el cable de alimentación se use como sistema de desconexión, coloque la unidad de forma que pueda acceder fácilmente a dicho cable o sistema.
- Este aparato ha sido diseñado para ser usado en interiores. No ha sido verificado que pueda funcionar en exteriores, en vehículos recreativos o en barcos.
- No realice ningún tipo de modificación en este sistema ni en ninguno de sus accesorios. Cualquier modificación no autorizada sobre los mismos

EN

ES

puede suponer un riesgo sobre la seguridad, cumplimiento de normativa legal y rendimiento del sistema.

INSTRUCCIONES IMPORTANTES DE SEGURIDAD

1. Lea las instrucciones de todos los componentes antes de usar este aparato.
2. Conserve estas instrucciones para cualquier referencia a ellas en el futuro.
3. Preste atención a todas las advertencias que aparezcan en este aparato y en su documentación.
4. Siga todo lo indicado en estas instrucciones.
5. No use este aparato cerca del agua o de lugares muy húmedos. No use este aparato cerca de una piscina, bañera, pila, lavandería, sótanos húmedos, o en cualquier otro sitio en el que haya una cierta cantidad de agua.
6. Limpie este aparato solo con un trapo seco y de la forma indicada por MUSIC Group. Desconecte este aparato de la corriente antes de limpiarlo.
7. No bloquee ninguna de las aberturas de ventilación. Instale este aparato solo de acuerdo a las instrucciones del fabricante. Para asegurar un funcionamiento fiable de este aparato y para evitar que se recaliente, coloque este aparato en una ubicación que no suponga una limitación de su ventilación. Por ejemplo, no coloque este aparato encima de una cama, sofá, o de una superficie similar que pueda bloquear las aberturas de ventilación. No coloque este aparato encastrado en una instalación o mueble que pueda impedir el correcto flujo de aire por sus aberturas de ventilación.
8. No instale este aparato cerca de fuentes de calor como pueden ser radiadores, hornos u otros aparatos (incluyendo amplificadores) que produzcan calor.
9. Utilice solo accesorios/complementos especificados por el fabricante.
10. Evite que el cable de alimentación quede en una posición susceptible

de ser pisado, retorcido o aplastado, especialmente en los enchufes, receptáculos y en el punto en el que el cable sale del aparato.

11. Para evitar daños en este aparato - desconéctelo de la corriente durante las tormentas eléctricas o cuando no lo vaya a usar durante un periodo de tiempo prolongado.

12. Consulte cualquier posible reparación únicamente con el servicio técnico oficial. Este aparato deberá ser reparado en caso de cualquier tipo de daño, tales como: daños o roturas en el cable de alimentación o en el enchufe; si se ha derramado algún líquido o se ha introducido algún objeto dentro del aparato; si este aparato ha quedado expuesto a la lluvia o la humedad, si no funciona normalmente o si ha caído al suelo. No trate de reparar este aparato por sus propios medios. La abertura de la tapa puede hacer que quede expuesto a voltajes peligrosos y otros riesgos. Póngase en contacto con MUSIC Group (BEHRINGER) para que le informemos sobre el servicio técnico oficial más cercano.

13. Para evitar el riesgo de un incendio o descarga eléctrica, evite sobrecargar las regletas o salidas de corriente conectando demasiados aparatos en ellas.

14. No permita la introducción de objetos o líquidos dentro de este aparato dado que podrían ponerse en contacto con puntos de voltajes peligrosos o dañar componentes, lo que podría dar lugar a un incendio o descarga eléctrica.

15. Vea las indicaciones de seguridad que aparecen en la propia carcasa de este aparato.

16. Use este aparato únicamente con fuentes de alimentación adecuadas. Conecte este aparato a una salida de corriente del voltaje y amperaje que aparecen en las instrucciones de uso o en el propio aparato. Antes de conectar este aparato a la corriente, asegúrese de que esos valores sean correctos. Sustituya cualquier fusible dañado únicamente por otro fusible del mismo tipo y características.

ADVERTENCIA LEGAL

LAS ESPECIFICACIONES TÉCNICAS Y EL ASPECTO EXTERIOR DE ESTE APARATO ESTÁN SUJETAS A CAMBIOS SIN PREVIO AVISO Y, POR TANTO, SU EXACTITUD CON RESPECTO A LO INDICADO AQUÍ NO ESTÁ GARANTIZADA. BEHRINGER ES PARTE DE MUSIC GROUP (MUSIC-GROUP.COM). TODAS LAS MARCAS COMERCIALES MENCIONADAS PERTENECEN A SUS RESPECTIVOS PROPIETARIOS LEGALES. MUSIC GROUP NO ACEPTA NINGUNA RESPONSABILIDAD POR LAS PÉRDIDAS RESULTANTES SOBRE CUALQUIER PERSONA QUE HAYA DADO POR VÁLIDA, TOTALMENTE O EN PARTE, CUALQUIER TIPO DE DESCRIPCIÓN, FOTOGRAFÍA O DECLARACIÓN QUE APAREZCA EN ESTE DOCUMENTO. LAS ESPECIFICACIONES Y EL COLOR REAL DEL APARATO PUEDEN SER DISTINTOS A LOS QUE APARECEN EN ESTE DOCUMENTO. TODOS LOS PRODUCTOS MUSIC GROUP SON COMERCIALIZADOS ÚNICAMENTE A TRAVÉS DE DISTRIBUIDORES AUTORIZADOS. ESTOS DISTRIBUIDORES Y ESTABLECIMIENTOS NO SON AGENTES DE MUSIC GROUP Y NO TIENEN NINGUNA AUTORIZACIÓN PARA CONCEDER EN NOMBRE DE MUSIC GROUP CUALQUIER GARANTÍA EXPRESA O IMPLÍCITA NI CUALQUIER OTRO TIPO DE REPRESENTACIÓN. ESTE MANUAL ESTÁ PROTEGIDO POR LAS LEYES DEL COPYRIGHT. ESTE MANUAL NO PUEDE SER REPRODUCIDO O TRANSMITIDO (NI ENTERO NI EN PARTES) EN NINGÚN FORMATO O MEDIO, TANTO SI ES ELECTRÓNICO O MECÁNICO, INCLUYENDO EL FOTOCOPIADO Y LA GRABACIÓN POR CUALQUIER MEDIO O SOPORTE, PARA NINGÚN FIN, SIN LA AUTORIZACIÓN EXPRESA Y POR ESCRITO DE MUSIC GROUP IP LTD.

RESERVADOS TODOS LOS DERECHOS.
© 2012 MUSIC Group IP Ltd. Trident Chambers, Wickhams Cay, P.O. Box 146, Road Town, Tortola, British Virgin Islands

GARANTÍA LIMITADA

§ 1 Garantía limitada

1 Su producto Eurosound está cubierto por una garantía limitada de noventa (90) días a contar desde la fecha de compra original a un distribuidor Eurosound, autorizado por MUSIC Group. Esta Garantía limitada solo es válida si ha adquirido este producto en un distribuidor autorizado por MUSIC Group.

2 1.2 garantiza que todos los componentes mecánicos y electrónicos de este producto están libres de defectos en materiales y mano de obra siempre y cuando este producto sea usado en condiciones de funcionamiento normales. Esta Garantía limitada tiene una vigencia de un noventa (90) días desde la fecha de compra original, salvo la legislación del país en el que haya adquirido este aparato obligue a un periodo de garantía superior, en cuyo caso sería de aplicación ese periodo obligatorio.

1.2 En el caso de que aparezca cualquier tipo de defecto en el producto dentro del periodo especificado de garantía y dicho defecto no esté entre las exclusiones que aparecen en la cláusula 4, MUSIC Group reparará o sustituirá el producto, usando para ello un producto y/o piezas nuevas o reacondicionadas. En el caso de que MUSIC Group decida sustituir el producto entero, esta Garantía limitada solo seguirá en vigor para dicho producto de sustitución durante el periodo de garantía inicial que quede a partir de la fecha de compra del producto original.

3 Queda expresamente excluida cualquier otra reclamación de esta garantía que quede fuera de los términos indicados arriba.

IMPORTANTE

Le recomendamos que conserve la factura o comprobante de su compra. Esto será su prueba de compra y determinará la fecha de inicio del periodo de esta Garantía limitada. En caso de que pierda o no conserve esta factura o comprobante, esta Garantía limitada quedará anulada. En el improbable caso de que tenga que realizar una reclamación de esta Garantía limitada, deberá hacernos llegar una copia de dicha factura o comprobante de compra. Sin ella, lamentablemente no podremos aceptar ningún tipo de reclamación.

§ 2 Registro online

No olvide registrar su nuevo aparato MUSIC Group. Puede realizar fácilmente este registro visitando nuestra página web www.music-group.com o cualquiera de las webs de las marcas relacionadas.

§ 3 Reparaciones en periodo de garantía; Número de autorización de devolución

1 La primera fase para una reparación en periodo de garantía, y el medio más rápido y fácil para conseguir una solución, es comprobar si el problema no puede ser resuelto por nuestro sistema de servicio técnico online (Online Service). Si, tras utilizar este servicio, sigue sin poder solucionar el problema y necesita solicitar una reparación en periodo de garantía, devuelva el producto junto con su embalaje original y la factura de compra al comercio en el que lo adquirió.

2 No será aceptada ninguna devolución que no adjunte una factura de compra válida.

3 Advertimos igualmente que está prohibido el envío directo de este producto para una reparación en periodo de garantía por parte del cliente final a MUSIC Group o uno de nuestros servicios técnicos oficiales.

§ 4 Límites y exclusiones de la garantía

1 Esta Garantía limitada no cubre ningún consumible. Entre estos consumibles están incluidos, pero sin que ello suponga ninguna limitación, fusibles, pilas, cables, bombillas, cuerdas de guitarra, etc.

2 Esta Garantía limitada no cubre el producto en caso de que haya sido sometido a cualquier tipo de modificación electrónica o mecánica. En caso de que este aparato deba ser modificado o adaptado de alguna manera de cara a cumplir con los standards técnicos o de seguridad aplicables en un país distinto de para el que fue diseñado y fabricado este aparato, dicha modificación / adaptación no será considerada en ningún caso un defecto en materiales y mano de obra. Esta Garantía limitada no cubre tales tipos de modificaciones / adaptaciones, independientemente de que sea realizada por un técnico especialista o no. De acuerdo a los términos de esta Garantía limitada, MUSIC Group no asumirá en ningún caso los costes resultantes de este tipo de modificación / adaptación.

3 Esta Garantía limitada cubre únicamente el producto físico (hardware). No cubre ningún tipo de asistencia técnica sobre el uso de dicho hardware o el software. Además, tampoco quedan cubiertos ningún producto de software, tanto si se incluye o se comercializa con este producto como si no. Cualquier programa de software es suministrado solo en la condición y formato contenido con el producto, salvo que incluya de forma expresa algún tipo de garantía limitada efectiva sobre dicho software.

4 Esta Garantía limitada será completamente inválida si el número de serie que se incluye de fábrica en el producto ha sido modificado o eliminado.

5 Esta Garantía limitada excluye de forma expresa cualquier inspección gratuita y trabajo de mantenimiento / revisión. Si en una inspección del producto por parte de MUSIC Group se detecta que el defecto reportado no queda cubierto por esta Garantía limitada, los gastos correspondientes a esta inspección serán a costa del usuario.

6 Los daños o defectos en el aparato que se produzcan como consecuencia de las siguientes condiciones no quedan cubiertos por esta Garantía limitada:

- manejo inadecuado o negligente o un uso incorrecto de la unidad con respecto a lo indicado en el manual de instrucciones o de servicio facilitado por MUSIC Group

- conexión o uso de esta unidad en cualquier formato o sistema que incumpla las normas técnicas o de seguridad aplicables en el país en el que sea usado este aparato
- cualquier tipo de desastre natural (accidente, incendio, inundación, etc.) o cualquier otro tipo de condición que esté fuera del control de MUSIC Group.

7 Cualquier reparación o apertura de este aparato realizado por personal no autorizado (incluyendo el propio usuario) anulará completamente esta Garantía limitada.

8 Aquellos productos que no cumplan con los términos de esta Garantía limitada será reparados exclusivamente a expensas del propio usuario.

9 Los distribuidores autorizados de MUSIC Group no comercializan nuevos productos directamente en páginas de subastas online. Cualquier compra realizada a través de una de estas páginas quedará totalmente bajo la responsabilidad del comprador. No aceptamos confirmaciones de aceptación de subastas o recibos de compra en ese tipo de comercios como elemento

válido para la verificación de la garantía, por lo que MUSIC Group no reparará ni sustituirá ningún tipo de producto adquirido a través de una subasta.

§ 5 Transferibilidad de la garantía

Esta Garantía limitada cubre únicamente al comprador o usuario original (la persona que haya adquirido este aparato en un distribuidor o comercio autorizado) y no es transferible a ninguna otra persona que pueda adquirir posteriormente este mismo producto. Ninguna persona (distribuidor, mayorista, comercial, etc.) está autorizado a facilitar ningún otro tipo de garantía en nombre de MUSIC Group.

§ 6 Daños y perjuicios

Con la única limitación de lo establecido en las leyes locales aplicables, MUSIC Group no será responsable frente al usuario por esta Garantía limitada de cualquier daño emergente, lucro cesante o daños o pérdidas indirectas de ningún tipo. La posible responsabilidad de MUSIC Group por esta garantía no podrá superar en ningún caso el valor del producto establecido en la factura de compra.

§ 7 Limitación de responsabilidades

Esta Garantía limitada es la única garantía entre usted y MUSIC Group y anula a cualquier otra comunicación escrita u oral relacionada con este producto. MUSIC Group no ofrece ningún otro tipo de garantía para este producto.

§ 8 Otros derechos legales y legislación nacional

- 1 Esta Garantía limitada no excluye ni limita cualquier posible derecho legal del usuario como consumidor.
- 2 Siempre serán aplicables las condiciones de esta Garantía limitada mencionadas

anteriormente salvo que esa aplicación suponga la infracción de cualquier legislación local aplicable, en cuyo caso esta garantía quedará modificada en parte hasta cumplir con la legislación nacional.

- 3 Esta Garantía limitada no limita las obligaciones legales del comercio relativas a la falta de conformidad del producto y/o cualquier posible vicio o defecto oculto.

§ 9 Enmiendas y modificaciones

Las condiciones de las reparaciones en periodo de garantía están sujetas a modificaciones sin previo aviso. Consulte cada cierto tiempo cualquier posible novedad en cuanto a los términos y condiciones de la garantía, así como cualquier información adicional relativa a la Garantía limitada de MUSIC Group en la página web www.music-group.com o en las web de las marcas / productos relacionados.

Pasos a seguir por el usuario

Registro online. Registre su nuevo producto MUSIC Group tan pronto como lo haya adquirido con solo acceder a la página web www.music-group.com.

Prueba de compra. Le rogamos que conserve la factura de compras. Esta factura será su prueba de compra oficial y la Garantía limitada comenzará a partir de la fecha de compra que aparezca en ella. En caso de que no conserve la factura de compra, la Garantía limitada quedará anulada.

En caso de que detecte algún fallo en el aparato. En el improbable caso de que detecte un fallo o avería en este aparato, o que no funcione de la forma adecuada, devuelva este aparato al establecimiento en el que lo adquirió. Asegúrese de enviarlo junto con una copia de la factura original de compra para que el establecimiento pueda realizar su sustitución o reembolso.

Preguntas y dudas. En caso de que tenga cualquier duda, póngase en contacto con su distribuidor MUSIC Group (BEHRINGER) local. Si quiere ponerse en contacto directamente con MUSIC Group, vea la información de contacto incluida en el embalaje.

FR Consignes de sécurité

Prenez le temps de lire ce guide de prise en main avec attention

Prenez le temps de lire ces instructions avec soin. Ces instructions vous aideront à mettre en œuvre et à utiliser votre système audio de façon correcte et à apprécier ses fonctions avancées. Conservez ces instructions pour toute référence ultérieure.

MISES EN GARDE

- Pour réduire les risques d'incendie ou d'électrocution, n'exposez pas ce produit à la pluie ou à l'humidité.
- Pour éviter tout risque d'électrocution, utilisez uniquement une fiche secteur avec terre adaptée à une prise secteur avec terre. Enfoncez la fiche au fond de la prise.
- Évitez d'exposer cet appareil aux projections liquides, et veillez à ne pas placer d'objets remplis de liquides (vases, verres, etc.) sur ou à proximité de l'appareil. Comme c'est le cas avec tous les équipements électroniques, veillez à ce qu'aucun liquide ne puisse s'infiltrer dans l'appareil. Toute exposition à un liquide peut causer une panne ou un incendie.
- Veillez à ne pas placer l'appareil près d'une flamme (bougie, etc.). Veillez à ne pas placer un tel objet sur l'appareil.
- Ne laissez pas les enfants toucher à la pile de la télécommande. Celle-ci peut représenter un

risque de brûlure chimique ou d'incendie. Veillez à ne pas la recharger, la démonter, l'exposer à une température supérieure à 100°C (212°F), ou à l'incinérer. Débarrassez-vous des piles selon les législations locales prévues pour leur recyclage. Remplacez les piles uniquement par d'autres de même type et de même modèle.

- Il y a danger d'explosion si la pile n'est pas remplacée correctement. Cet appareil contient de petits objets qui peuvent constituer un risque d'étouffement. Ne convient pas aux enfants de moins de 3 ans.
- Débarrassez-vous des piles selon les législations locales prévues pour leur recyclage. Veillez à ne pas les incinérer.



La maintenance et les réparations doivent être réalisées uniquement par un personnel qualifié. Pour réduire les risques d'électrocution, ne pratiquez vous-même aucune opération de maintenance autre que celles mentionnées dans le mode d'emploi. Les réparations doivent être réalisées uniquement par un personnel qualifié.



Ce symbole, lorsqu'il est présent, vous prévient de la présence de tensions dangereuses non isolées à l'intérieur du boîtier — tensions suffisantes pour constituer un risque d'électrocution.



Ce symbole vous prévient de la présence d'instructions importantes sur la maintenance du produit dans ce guide de prise en main rapide.

Remarques :

- L'étiquette est située au dos du produit.

- Dans le cas où la fiche secteur sert à déconnecter l'appareil du secteur, veillez à ce que la fiche secteur soit toujours directement accessible.
- Ce produit doit être utilisé à l'intérieur. Il n'a pas été conçu ou testé pour être utilisé à l'extérieur, dans un véhicule, ou sur un bateau.
- N'apportez aucune modification au système ou aux accessoires. Les modifications non autorisées peuvent rendre l'appareil dangereux, annuler sa conformité aux normes et dégrader ses performances.

CONSIGNES DE SÉCURITÉ IMPORTANTES

1. Lisez les consignes concernant tous les éléments avant d'utiliser ce produit.
2. Conservez ces consignes pour toute référence ultérieure.
3. Respectez toutes les mises en garde sérigraphiées sur le produit et imprimées dans la documentation.
4. Suivez toutes les instructions.
5. N'utilisez pas cet appareil près d'une source liquide ou dans un environnement humide. N'utilisez pas le produit près d'une baignoire, d'un évier, etc., ou dans une cave humide, près d'une piscine, ou près d'une source liquide ou humide.
6. Nettoyez le produit uniquement avec un tissu sec, selon les instructions de la société MUSIC Group. Déconnectez la fiche de la prise secteur avant le nettoyage.
7. Veillez à ne pas obstruer les fentes de ventilation. Installez l'appareil selon les instructions du fabricant. Pour garantir un fonctionnement fiable de l'appareil et le protéger des surchauffes, placez le produit dans une position et un emplacement qui ne risque pas de nuire à sa ventilation optimale. Par exemple, veillez à ne pas placer le produit sur un lit, un canapé, ou toute surface similaire, pouvant boucher les ouïes de ventilation. N'installez pas le produit dans un endroit clos (étagères avec livres ou meuble, etc.)

pouvant nuire à la ventilation optimale de l'air autour du produit.

8. N'installez pas le produit près d'une source de chaleur (radiateurs, chauffage, etc., amplificateurs de puissance).

9. Utilisez uniquement les fixations et accessoires spécifiés par le fabricant.

10. Protégez le cordon secteur au sol contre le passage et les pincements, et notamment du côté des fiches, embases, et au point où le cordon secteur sort du produit.

11. Déconnectez l'appareil du secteur en présence d'orage ou lors de périodes de non-utilisation prolongées – pour lui éviter tout dommage.

12. Consultez un service de réparation qualifié en cas de dysfonctionnement (dommage sur le cordon secteur, baisse de performances, exposition à la pluie, projection liquide dans l'appareil, introduction d'un objet dans le boîtier, chute de l'appareil, etc.). N'essayez pas de réparer vous-même l'appareil. L'ouverture ou le retrait du couvercle peut vous exposer à des tensions dangereuses ou à d'autres dangers. Appelez MUSIC Group (BEHRINGER) : vous serez dirigé vers un centre de réparation agréé près de chez vous.

13. Pour prévenir tout risque d'incendie ou d'électrocution, évitez de surcharger les prises, les lignes secteur, les multiprises, les rallonges, etc.

14. Ne laissez aucun objet ou aucun liquide pénétrer dans l'appareil, car leur contact avec un point de tension dangereuse ou la création d'un court-circuit pourrait causer un risque d'incendie ou d'électrocution.

15. Consultez les consignes de sécurité indiquées sur le boîtier du produit.

16. Utilisez uniquement des sources d'alimentation adaptées. Connectez l'appareil uniquement à la source d'alimentation prévue, comme indiqué dans le mode d'emploi ou sur le produit. Avant de connecter la fiche à une prise secteur, vérifiez que la tension secteur convient à l'appareil.

Remplacez les fusibles défectueux uniquement par d'autres fusibles de même type et dont les caractéristiques physiques et électriques sont exactement identiques — sans exception.

DÉDIT LÉGAL

LES CARACTÉRISTIQUES TECHNIQUES ET L'APPARENCE DES PRODUITS SONT SUJETTES À MODIFICATIONS SANS PRÉAVIS ET LEUR VÉRACITÉ N'EST PAS GARANTIE. BEHRINGER EST UNE SOCIÉTÉ DE MUSIC GROUP (MUSIC-GROUP.COM). TOUTES MARQUES DÉPOSÉES. MUSIC GROUP N'ACCEPTÉ AUCUNE RESPONSABILITÉ EN CAS DE PERTES SUBIES PAR DES PERSONNES QUI SE BASENT EN TOUT OU PARTIE SUR LES DESCRIPTIONS, PHOTOGRAPHIES OU DÉCLARATIONS CONTENUES DANS CE DOCUMENT. LES COULEURS ET LES CARACTÉRISTIQUES PEUVENT ÊTRE DIFFÉRENTES DES PHOTOS ET DESCRIPTIONS. LES PRODUITS MUSIC GROUP NE SONT VENDUS QUE PAR L'INTERMÉDIAIRE DE DISTRIBUTEURS ET REVENDEURS AGRÉÉS. LES DISTRIBUTEURS ET REVENDEURS NE SONT PAS AGENTS DE MUSIC GROUP ET N'ONT ABSOLUMENT AUCUNE AUTORITÉ À LIER, REPRÉSENTER OU ENGAGER MUSIC GROUP DE FAÇON DIRECTE OU INDIRECTE. CE MODE D'EMPLOI EST PROTÉGÉ PAR LES LOIS SUR LES DROITS D'AUTEUR. INTERDICTION FORMELLE DE REPRODUIRE OU DE TRANSMETTRE CE MODE D'EMPLOI EN TOUT OU PARTIE, DE QUELLE FAÇON QUE CE SOIT, ÉLECTRONIQUE OU MÉCANIQUE, CE QUI COMPREND LA PHOTOCOPIE ET L'ENREGISTREMENT DE QUELLE FORME QUE CE SOIT, QUEL QU'EN SOIT LE BUT, SANS LA PERMISSION ÉCRITE DE MUSIC GROUP IP LTD.

TOUTS DROITS RÉSERVÉS.

© 2012 MUSIC Group IP Ltd. Trident Chambers, Wickhams Cay, P.O. Box 146, Road Town, Tortola, Iles Vierges Britanniques

GARANTIE LIMITÉE

§ 1 Garantie Limitée

- 1 Votre appareil Eurosound est couvert par une garantie limitée pendant une période de quatre-vingt-dix (90) jours à partir de la date d'achat auprès d'un revendeur Eurosound autorisé par MUSIC Group. Cette garantie limitée n'est valide que si l'achat a été effectué auprès d'un revendeur autorisé par Music Group.
- 2 MUSIC Group garantit les composants mécaniques et électroniques comme étant dépourvus de défauts de pièces et de main-d'œuvre dans des conditions normales d'utilisation. Cette Garantie Limitée est valable pour quatre-vingt-dix (90) jours à compter de la date d'achat originale, sauf si votre pays accorde une garantie légale plus étendue, dans quel cas la garantie légale devra s'appliquer.

Si des défauts s'avèrent exister sur le produit pendant la période de garantie déterminée et que ces défauts ne sont pas exclus par la clause 4, MUSIC Group réparera ou remplacera le produit en utilisant des produits ou des pièces neufs ou re-conditionnés. Dans le cas où MUSIC Group décide de remplacer le produit dans sa totalité, cette garantie limitée s'appliquera au produit de remplacement uniquement pendant la période de garantie initiale restant à courir à partir de la date d'achat du produit initial.

- 3 Les demandes de garantie autres qu'indiquées ci-dessus sont expressément exclues.

IMPORTANT

Veillez à conserver votre facture d'achat. Ce sera la preuve de votre achat et ce qui marquera la date du début de votre Garantie Limitée. Si vous n'avez pas conservé la facture, cette garantie limitée ne sera pas applicable. Dans le cas peu probable où vous auriez à exercer votre droit à la Garantie Limitée, nous vous demanderons de produire un exemplaire de cette facture. En absence de la facture, nous ne pourrions malheureusement pas satisfaire votre demande de réparation sous garantie.

§ 2 Enregistrement en ligne

Nous vous demandons expressément de penser à enregistrer votre nouvel équipement MUSIC. Cela s'effectue rapidement en allant sur www.music-group.com ou filiales.

§ 3 Service Garantie ; Numéro d'autorisation de Retour

- 1 Tout d'abord, lorsque vous utilisez notre service de garantie, le moyen le plus rapide pour trouver une solution est de vérifier si le problème peut être résolu par notre service en ligne. Si vous n'arrivez pas à résoudre votre problème de cette façon, veuillez nous retourner le produit dans son emballage d'origine accompagné de la facture du revendeur auprès duquel vous l'avez acheté.
- 2 Aucun retour ne sera accepté sans facture d'achat valide.
- 3 Veuillez noter que les envois effectués à MUSIC Group ou à l'un des centres de garantie agréés ne seront pas acceptés.

§ 4 Limitations et exclusions de garantie

- 1 Cette Garantie Limitée ne couvre pas les pièces soumises à usure. Il s'agit notamment – mais sans limitation – des fusibles, piles et batteries, lampes, cordes de guitares, etc.

- 2 Cette garantie limitée ne couvre pas le produit s'il a été électroniquement ou mécaniquement modifié d'une façon ou d'une autre. Si le produit doit être modifié ou adapté afin de se conformer aux normes locales techniques ou de sécurité du pays qui n'est pas le pays pour lequel ce produit a été initialement conçu et fabriqué, cette modification/adaptation ne sera pas considérée comme un vice de pièces ou de main-d'œuvre. Cette Garantie Limitée ne couvre aucune modification/adaptation de ce genre, indépendamment du fait que ceci a été effectué par un professionnel ou non. Selon les termes de cette Garantie Limitée, MUSIC Group ne saurait être tenu responsable pour toute dépense résultant d'une telle modification/adaptation.
- 3 Cette Garantie Limitée couvre uniquement le matériel hardware. Elle ne couvre pas l'assistance technique du matériel (hardware) et des logiciels. De plus, elle ne couvre pas les logiciels contenus ou non dans le même emballage que le produit acheté. Les logiciels sont tous fournis dans l'état et le format figurant avec le produit, sauf si expressément prévu par la garantie limitée du logiciel inclus.
- 4 Cette Garantie Limitée sera totalement invalide si le numéro de série usine a été modifié ou retiré du produit.
- 5 Les inspections et réparations gratuites sont expressément exclues de cette Garantie Limitée. Si une inspection du produit par MUSIC Group fait ressortir que le défaut en question n'est pas couvert par la Garantie Limitée, les coûts de l'inspection seront à la charge du client.
- 6 Les dommages ou défauts causés par les conditions suivantes ne seront pas couverts par cette garantie :
 - Une erreur de manipulation, une négligence ou défaut de fonctionnement de l'appareil non utilisé selon les instructions des modes d'emploi de MUSIC Group.
 - Connexion ou mise en fonctionnement de l'unité sans respect des réglementations techniques ou de sécurité applicables dans le pays où le produit est utilisé.
 - Toutes conditions au-delà du control de MUSIC Group dues à la force de Dieu ou à la force de la nature (accident, incendie, inondations, etc)
- 7 Toute réparation ou ouverture de l'unité effectuées par du personnel non autorisé (y compris l'utilisateur) annulera complètement la Garantie Limitée.
- 8 Les produits qui ne répondent pas aux termes de cette Garantie Limitée seront réparés aux frais de l'acheteur.
- 9 Les revendeurs agréés de MUSIC Group ne vendent pas de produits neufs directement par voie d'enchères en ligne. Les achats effectués par le biais d'enchères en ligne sont sensés être sur la base d'"acheteurs avertis". Les confirmations ou factures d'enchères en ligne ne sont pas acceptées pour les demandes de garantie et MUSIC Group ne remplacera pas ou ne réparera pas les produits achetés à l'aide d'enchères en ligne.

§ 5 Transfert de garantie

Cette garantie limitée est attribuée uniquement à l'acheteur initial (client d'un revendeur agréé) et n'est pas transférable aux personnes achetant le produit par la suite. Personne d'autre (distributeur, revendeur, prestataire, détaillant, etc) n'est autorisé à donner de garantie au nom de Music Group.

§ 6 Réclamations

Sous la seule réserve du fonctionnement des lois locales applicables, MUSIC Group n'assume aucune responsabilité envers l'acheteur au regard de cette Garantie Limitée en ce qui concerne les pertes consécutives ou indirectes ou les dommages d'aucune sorte. En aucun cas la responsabilité de MUSIC Group dans le cadre de cette garantie, ne pourra excéder la valeur facturée du produit.

§ 7 Limites de Responsabilité

Cette Garantie Limitée constitue la garantie complète et exclusive existant entre vous et MUSIC Group. Elle annule et remplace toute autre communication écrite ou orale relative à ce produit. MUSIC Group n'offre aucune autre garantie pour ce produit.

§ 8 Autres droits de garantie et droit national

- 1 En aucune façon, cette Garantie Limitée ne peut exclure ou limiter les droits statutaires de l'acheteur en tant que consommateur.
- 2 Les règles de la Garantie Limitée mentionnées dans ce document sont applicables, sauf si elles sont en violation des lois locales.
- 3 Cette Garantie Limitée ne modifie pas les obligations légales du vendeur en ce qui concerne les défauts de conformité et vices cachés du produit.

§ 9 Amendement

Les conditions de cette garantie sont sujettes à changement sans préavis. Nous vous prions de vous référer régulièrement aux derniers termes, conditions et informations complémentaires concernant la Garantie Limitée de MUSIC Group, en allant sur www.music-group.com ou ses filiales.

Assistance Clientèle

Enregistrez-vous sur Internet. Prenez le temps d'enregistrer votre nouvel équipement MUSIC Group dès son achat sur le site www.music-group.com.

Preuve d'achat. Nous vous demandons de conserver votre preuve d'achat. Cette preuve valide et marque le début de votre garantie limitée à la date indiquée sur la facture. Si vous perdez cette preuve d'achat, votre garantie s'annule.

En cas de panne du produit. Dans le cas improbable d'une panne de votre produit, ou –de son fonctionnement médiocre, renvoyez-le au revendeur qui vous l'a vendu. Veuillez à joindre une copie de la facture d'achat initiale pour tout échange ou remboursement.

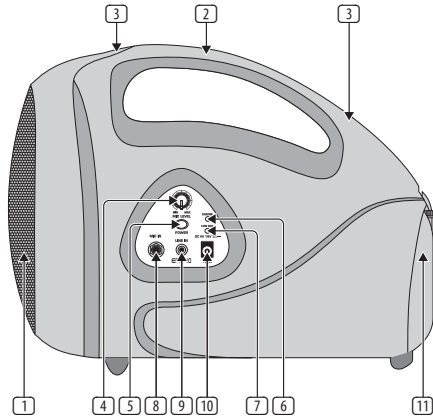
Questions ? Si vous avez d'autres questions, contactez votre revendeur local MUSIC Group (BEHRINGER). Pour contacter directement MUSIC Group, consultez les informations de contact fournies dans le carton.

For your records / Datos necesarios para posibles consultas / Pour votre information :

Serial number: Número de serie: Numéro de série :	
Purchase date: Fecha de compra: Date d'achat :	
Dealer name: Nombre del establecimiento: Nom du revendeur :	
Dealer phone: Teléfono del establecimiento: Numéro de téléphone :	
Please keep your purchase receipt with this Quick Start Guide. Conserve la factura de compra junto con este Manual de puesta en marcha. Conservez la facture d'achat avec ce guide de prise en main.	

EUROSOUND MEGAPHONE XT Controls

EN Step: Controls



- 1 **LOUDSPEAKER.**
- 2 **CARRY HANDLE.**
- 3 **HOLES FOR SHOULDER STRAP.**
- 4 The rotary **MIC LEVEL** control allows you to adjust the volume level.
- 5 The **POWER** switch turns the device on and off. When turned on, the LED of the POWER switch lights up.
- 6 The **CHARGE** LED flashes yellow as long as the rechargeable battery is charging. It goes out when the battery is fully charged.
- 7 The **LOW BAT** LED indicates that the rechargeable battery needs to be charged.
- 8 Connect the supplied BEHRINGER XM1800S microphone to the **MIC IN** input.
- ◆ **Never hold the microphone directly in front of the loudspeaker. Feedback hazard! When operating the device, keep the microphone behind the loudspeaker to avoid feedback.**
- 9 You can connect an external sound source (CD player, MP3 player, etc.) to the **LINE IN** input.
- 10 Connect to the power supply via the polarized **DC IN** connector. A fitting power adapter is supplied. Use the device only with the included power supply.
- 11 **COMPARTMENT FOR BATTERY AND SHOULDER STRAP.** To insert the battery, open the compartment's cover. The bottom half of the compartment is used for the battery. Open the latch to access the battery compartment. Insert the battery as follows: The terminals must face the device with the positive terminal (red) on the side of the control panel (to the left, as seen from the rear panel). Insert the battery and close the latch. Close the battery compartment.
The device's **SERIAL NUMBER** is found on the bottom side of the unit.

Check out behringer.com for more information

ES Paso: Controles

- 1 **ALTAVOZ.**
- 2 **ASA.**
- 3 **OJALES PARA CORREA.**
- 4 Use el control **MIC LEVEL** para regular el volumen.
- 5 Con el interruptor **POWER** se enciende el aparato. Al estar encendido se ilumina el LED del interruptor.
- 6 El LED amarillo **CHARGE** parpadea mientras se carga la batería y se apaga cuando la batería se ha cargado en su totalidad.
- 7 El LED **LOW BAT** indica que la batería debe volver a cargarse.
- 8 Conecte en la entrada **MIC IN** el micrófono XM1800S de BEHRINGER suministrado con el aparato.
- ◆ **Nunca se coloque con el micrófono delante del altavoz, pues existe ¡peligro de realimentación! Para evitar realimentaciones al utilizar el aparato, permanezca detrás del altavoz siempre que use el micrófono.**
- 9 En la entrada **LINE IN** puede conectar una fuente de sonido externa (reproductor de CDs, MP3, etc.).
- 10 La conexión a la red eléctrica se realiza mediante el conector bipolar **DC IN**. En el suministro se incluye un adaptador de corriente adecuado. Utilice exclusivamente el adaptador de corriente suministrado.

- 11 **COMPARTIMIENTO PARA BATERÍA Y CORREA:** Para colocar la batería abra la tapa del compartimiento. La batería debe colocarse en la parte inferior del compartimiento. Desbloquee el seguro del compartimiento de la batería. Coloque la batería de la siguiente manera: los polos de la batería deben estar orientados hacia el aparato. El polo positivo (rojo) debe quedar del lado del panel de control (el lado izquierdo, visto desde atrás). Meta la batería y cierre el seguro. Cierre el compartimiento de la batería.

El **NÚMERO DE SERIE** se encuentra en la parte inferior del aparato.

Para más información no deje de visitar nuestra página web behringer.com

EUROSOUND MEGAPHONE XT Controls

Étape : Réglages

- 1 **HAUT-PARLEUR.**
- 2 **POIGNEE DE TRANSPORT.**
- 3 **OEILLET POUR SANGLE DE TRANSPORT.**
- 4 Tournez le bouton **MIC LEVEL** pour régler le volume sonore.
- 5 Appuyez sur le commutateur **POWER** pour mettre l'appareil sous tension. La LED du commutateur **POWER** s'allume pour indiquer que l'appareil est en marche.
- 6 La LED **CHARGE** clignote en jaune pendant le chargement de l'accu. Elle s'éteint dès que l'accu est totalement chargé.
- 7 La LED **LOW BAT** signale que l'accu intégré doit être rechargé.
- 8 Reliez le micro BEHRINGER XM1800S fourni à l'entrée **MIC IN**.
- ♦ **Ne tenez jamais le micro devant le haut-parleur. Risque de larsen ! Pendant l'utilisation de l'appareil, placez-vous toujours avec le micro derrière l'appareil afin d'éviter l'apparition de larsens.**
- 9 Vous pouvez relier l'entrée **LINE IN** à une source sonore externe (lecteur CD, lecteur MP3, etc.).
- 10 On effectue la liaison avec la tension secteur grâce à l'embase bipolaire **DC IN**. Le cordon d'alimentation correspondant est fourni. Utilisez l'appareil uniquement avec le bloc d'alimentation fourni.

- 11 **COMPARTIMENT POUR L'ACCU ET LA SANGLE DE TRANSPORT.** Ouvrez le couvercle du compartiment pour installer l'accu dans l'appareil. L'accu doit être installé dans la moitié inférieure du compartiment. Pour accéder au logement de l'accu, ouvrez son système de verrouillage. Installation de l'accu : les contacts de l'accu doivent être dirigés vers l'appareil, le pôle positif (rouge) du côté du panneau de commande (sur la gauche quand on regarde l'arrière de l'appareil). Introduisez l'accu puis fermez le système de verrouillage. Fermez le logement de l'accu.

Le **NUMERO DE SERIE** de l'appareil est situé sur la base de l'appareil.

Consultez le site behringer.com pour de plus amples informations

Specifications

Inputs	
Mic in	¼" TRS jack, unbalanced
Line in	⅛" jack, unbalanced
Output	
Output power	40 W
Loudspeaker	5" full-range speaker
Microphone	
Type	BEHRINGER XM1800S, dynamic
Pickup pattern	Hyper-cardioid
Cable length	3' spiral cable
System Data	
Power supply	with built-in rechargeable battery
Rechargeable battery type	12 V DC / 2600 mAh
Charging time	approx. 4 h
Battery operating time	up to 8 h
External recharger type	18 V DC / 3 A
Mains voltage	100 - 240 V~, 50/60 Hz, 1.5 A (Switching mode adaptor)
Mains connector	Standard IEC receptacle
Physical/Weight	
Dimensions (H x W x D)	approx. 8.5 x 7.1 x 11.2" / 217 x 180 x 284 mm
Weight	approx. 7.0 lbs / 3.2 kg (without power supply)

BEHRINGER is constantly striving to maintain the highest professional standards. As a result of these efforts, modifications may be made from time to time to existing products without prior notice. Specifications and appearance may differ from those listed or illustrated.

Especificaciones técnicas

Inputs	
Mic in	jack de 6,3 mm, no balanceada
Line in	jack de 3,5 mm, no balanceada
Output	
Potencia de salida	40 W
Altavoz	altavoz de 5" de amplio rango
Micrófono	
Tipo	BEHRINGER XM1800S, dinámico
Característica direccional	super cardiódico
Longitud de cable	1 m cable en espiral
Datos de Sistema	
Suministro de corriente	batería integrada
Tipo de batería	12 V DC / 2600 mAh
Tiempo de carga	aprox. 4 horas
Duración de la batería	hasta 8 horas
Tipo de cargador externo	18 V DC / 3 A
Tensión de red	100 - 240 V~, 50/60 Hz, 1,5 A (SMPS)
Conexión de red	conector IEC estándar
Dimensiones/Peso	
Dimensiones (alt. x anch. x prof.)	aprox. 217 x 180 x 284 mm
Peso (sin adaptador de corriente)	aprox. 3,2 kg

BEHRINGER se esfuerza constantemente por mantener los más altos estándares profesionales. Como resultado de estos esfuerzos, algunos productos pueden sufrir modificaciones sin previo aviso. Las especificaciones técnicas y la apariencia pueden variar de las arriba mencionadas y/o mostradas.

Caractéristiques techniques

Inputs	
Mic in	jack de 6,3 mm, asymétrique
Line in	Connecteur jack de 3,5 mm, asymétrique
Output	
Puissance de sortie	40 W
Haut-parleur	Haut-parleur 5" large bande
Microphone	
Type	BEHRINGER XM1800S, dynamique
Directivité	super cardioïde
Longueur de câble	1 m Câble à spirale
Caractéristiques du Système	
Alimentation électrique	Par l'accu intégré
Type d'accu	12 V DC / 2600 mAh
Temps de chargement	env. 4 h
Autonomie de l'accu	Jusqu'à 8 h
Type du chargeur externe	18 V DC / 3 A
Tension secteur	100 - 240 V~, 50/60 Hz, 1,5 A (SMPS)
Connexion secteur	Embase IEC standard
Dimensions/Poids	
Dimensions (H x L x P)	env. 217 x 180 x 284 mm
Poids (sans bloc d'alimentation)	env. 3,2 kg

La société BEHRINGER apporte le plus grand soin à la fabrication de ses produits pour vous garantir la meilleure qualité. Des modifications nécessaires peuvent donc être effectuées sans notification préalable. C'est pourquoi les caractéristiques techniques et la configuration physique des produits peuvent différer des spécifications et illustrations présentées dans ce manuel.

ES

FR

ES

FR



We Hear You