

## DI Boxes

# PRO DI 2

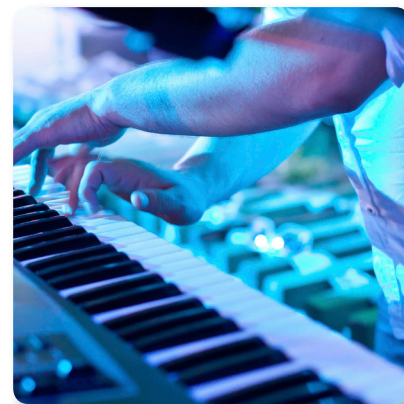
## DI 20P

Passive Stereo DI Box with MIDAS Transformer and Extended Dynamic Range



- Passive stereo DI Box for general purpose applications
- Custom-built MIDAS transformer for highest signal integrity
- High headroom design offers superior sound quality
- Passive design does not require any power supply
- Stereo inputs on ¼" TS connectors
- Through connectors on ¼" TS connectors
- Switchable input attenuation for guitar, line and speaker levels
- High quality Neutrik\* XLR connectors
- Earth Lift switch eliminates ground loop problems
- Fully transformer-isolated design ensures electrical separation
- Ultra-low noise and ultra-linear system for highest signal integrity
- Aluminium extrusion casing with protective rubber corners
- Compact and rugged design
- 10-Year Warranty Program\*
- Designed and engineered in the U.K.

Building on KLARK TEKNIK's storied legacy of highest-quality direct injection devices, the DI 20P PRO DI 2 offers the same high headroom, dynamic response and sonic clarity you have come to expect. DI 20P is ideal for interfacing stereo keyboards, samplers and other electronic musical instruments to mixing consoles, and faithfully reproduces the character of electric and acoustic instruments, allowing far more of the detail of musical performances to be captured. A passive device, the DI 20P does not require any form of external power to complete its mission. Equipped with a custom-built MIDAS transformer and switchable input Pad, DI 20P easily accommodates instruments, line, and even loudspeaker level signals – making it the perfect choice for professional audio and multimedia applications.



DI Boxes

# PRO DI 2 DI 20P

Passive Stereo DI Box with MIDAS  
Transformer and Extended Dynamic Range



## MIDAS – The Legend in Sound Quality

Ever since its formation in the 1970s, MIDAS has had a long history of innovation and leadership in the world of audio mixing consoles. Employed by the most famous touring acts and installations world-wide, legendary MIDAS consoles such as the XL4 and Heritage H3000 quickly became industry standards.

MIDAS has earned their impeccable reputation due to their no-compromise approach for audio and build quality and in particular for their Award-winning products which are considered by industry experts as the industry's best sounding designs. Building on this legacy, the XL8 and PRO Series of Live Mixing Systems continue this great heritage of Award-winning audio quality.

KLARKTEKNIK is proud to incorporate MIDAS designed transformers for the ultimate in high-quality audio reproduction in both live and studio environments. Find out more about MIDAS' amazing legacy by visiting their extensive website.

## Compact & Rugged Construction

The ultra-compact DI 20P is built to handle the rigours of life on the road via a thick and rugged aluminium extrusion that protects the electronics. The enclosure's roadworthiness is further enhanced through the implementation of sturdy rubber corner bumpers.



## High Headroom Design

A custom instrumentation-grade input circuit was designed for the DI 20P using advanced analogue design techniques to create the ideal input impedance match. This innovative approach provides an ultra low noise, low harmonic and phase distortion input stage with a ruler-flat frequency response that ranges from 20 Hz to 30 kHz ( $\pm 1$  dB).

DI Boxes

# PRO DI 2 DI 20P

Passive Stereo DI Box with MIDAS  
Transformer and Extended Dynamic Range

## Connectivity & More

DI 20P PRO DI 2 features genuine high quality Neutrik\* XLR and high impedance ¼" TS connectors to maintain the highest signal integrity. The Input connectors accept unbalanced signals over ¼" TS cables, with the Thru jacks passing unbalanced ¼" TS signals to local amps/monitors. The Output XLR jacks send balanced versions of the input signals to your mixing board or other processing device.



## Input Pad, Earth Lift Switch & More

A -15 dB input Pad enables the DI 20P to easily accommodate a wide range of input signals including guitar, line and speaker levels (up to 30 dBu). The onboard Earth Lift switch separates the input and output grounds, eliminating earth loops between equipment on different mains electricity supplies. DI 20P's fully transformer-isolated design further ensures pristine performance – even in large-scale production environments.

## Versatility

The DI 20P PRO DI 2 provides maximum versatility, frequency response from 20 Hz to 30 kHz ( $\pm 1$  dB), MIDAS custom-design transformers for the ultimate signal integrity, and much more – all in a road-ready enclosure that stands ready for your input.

Visit your local [KLARK TEKNIK](#) supplier to try out the DI 20P PRO DI 2, or get yours online today. Your ears can tell the difference...



DI Boxes

# PRO DI 2 DI 20P

Passive Stereo DI Box with MIDAS  
Transformer and Extended Dynamic Range



## You Are Covered

We always strive to provide the best possible Customer Experience. Our products are made in our own [MUSIC Tribe](#) factory using state-of-the-art automation, enhanced production workflows and quality assurance labs with the most sophisticated test equipment available in the world. As a result, we have one of the lowest product failure rates in the industry, and we confidently back it up with a generous [Warranty program](#).

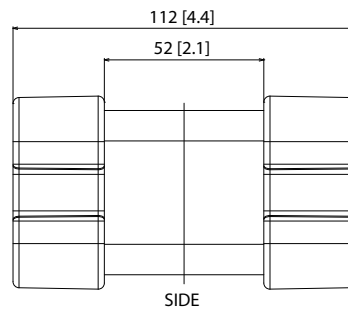
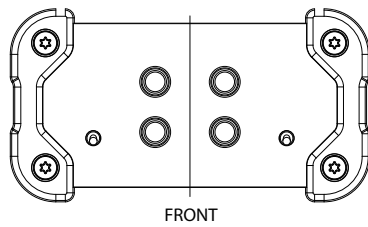
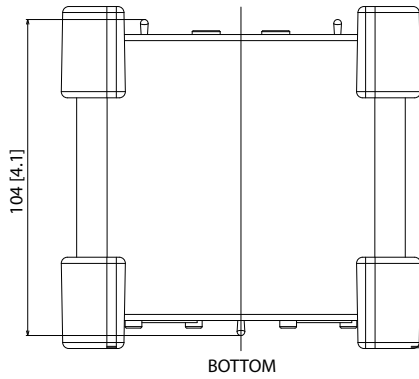
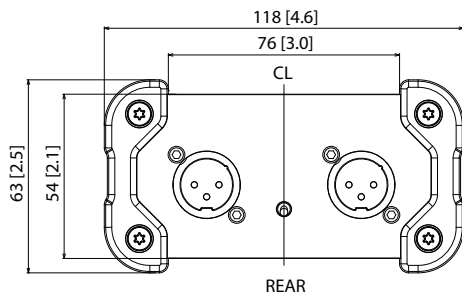
DI Boxes

# PRO DI 2

## DI 20P

Passive Stereo DI Box with MIDAS  
Transformer and Extended Dynamic Range

### Dimensions



## DI Boxes

# PRO DI 2 DI 20P

Passive Stereo DI Box with MIDAS  
Transformer and Extended Dynamic Range

## Technical Specifications

### Inputs

|                  |  |
|------------------|--|
| Connectors       | 2 x 1/4" TS unbalanced                   |
| Impedance        | 10 k $\Omega$ /PAD , 500 k $\Omega$ /off |
| Max. input level | 30 dBu @ 1 kHz                           |

### Outputs

|                   |                      |
|-------------------|----------------------|
| Connector         | 2 x XLR, balanced    |
| Impedance         | 150 $\Omega$ , 1 kHz |
| Max. output level | 8.5 dBu @ 1 kHz      |

### System

|                       |                               |
|-----------------------|-------------------------------|
| Frequency response    | 20 Hz to 30 kHz ( $\pm$ 1 dB) |
| THD + N (distortion)  | 0.01% @ 1 kHz, 0 dBu          |
| Signal-to-noise ratio | 108 dBu                       |
| Input pad             | -15 dB                        |
| Power requirement     | Passive                       |

### Physical

|                    |                                      |
|--------------------|--------------------------------------|
| Dimensions (WxDxH) | 118 x 112 x 64 mm (4.6 x 4.4 x 2.5") |
| Weight             | 0.54 kg (1.2 lbs)                    |

DI Boxes

# PRO DI 2

## DI 20P

Passive Stereo DI Box with MIDAS  
Transformer and Extended Dynamic Range



DI Boxes

# PRO DI 2

## DI 20P

Passive Stereo DI Box with MIDAS  
Transformer and Extended Dynamic Range



For service, support or more information contact the KLARK TEKNIK location nearest you:

**Europe**  
**MUSIC Tribe Brands UK Ltd.**  
Tel: +44156 273 2290  
Email: CARECrea@music-group.com  
CAREEnte@music-group.com  
CARELife@music-group.com

**USA/Canada**  
**MUSIC Tribe Commercial NV Inc.**  
Tel: +1 702 800 8290  
Email: CARECrea@music-group.com  
CAREEnte@music-group.com  
CARELife@music-group.com

**Japan**  
**MUSIC Tribe Services JP K.K.**  
Tel: +81 3 6231 0453  
Email: CARECrea@music-group.com  
CAREEnte@music-group.com  
CARELife@music-group.com

MUSIC Tribe accepts no liability for any loss which may be suffered by any person who relies either wholly or in part upon any description, photograph, or statement contained herein. Technical specifications, appearances and other information are subject to change without notice. All trademarks are the property of their respective owners. MIDAS, KLARK TEKNIK, LAB GRUPPEN, LAKE, TANNOY, TURBOSOUND, TC ELECTRONIC, TC HELICON, BEHRINGER, BUGERA and COOLAUDIO are trademarks or registered trademarks of MUSIC Tribe Global Brands Ltd. © MUSIC Tribe Global Brands Ltd. 2018 All rights reserved.

**KLARK TEKNIK**