

## DI Boxes

# PRO DI

## DI 10P

Passive DI Box with Stereo Input /  
Summed Mono Output, MIDAS Transformer  
and Extended Dynamic Range



- Passive DI Box with stereo input and summed mono output
- Custom-built MIDAS transformer for highest signal integrity
- High headroom design offers superior sound quality
- Passive design does not require any power supply
- Stereo input on 1/8" TRS and RCA connectors
- Fully adjustable level control for both channels
- High quality Neutrik\* XLR connector
- Earth Lift switch eliminates ground loop problems
- Fully transformer-isolated design ensures electrical separation
- Ultra-low noise and ultra-linear system for highest signal integrity
- Aluminium extrusion casing with protective rubber corners
- Compact and rugged design
- 10-Year Warranty Program\*
- Designed and engineered in the U.K.

Building on KLARK TEKNIK's storied legacy of highest-quality direct injection devices, the DI 10P PRO DI offers the same high headroom, dynamic response and sonic clarity you have come to expect. DI 10P is ideal for interfacing MP3, CD players, keyboard or drum submixers, and a variety of other stereo sources to mixing consoles. A passive device, the DI 10P does not require any form



of external power to complete its mission. Equipped with a custom-built MIDAS transformer, fully adjustable independent level controls for the stereo input channels, DI 10P is the perfect stereo to mono XLR solution for professional audio and multimedia applications.

\*Warranty details can be found at [musictri.be](http://musictri.be).

DI Boxes

# PRO DI DI 10P

Passive DI Box with Stereo Input /  
Summed Mono Output, MIDAS Transformer  
and Extended Dynamic Range



## MIDAS – The Legend in Sound Quality

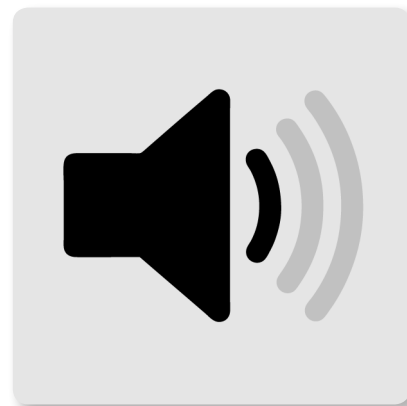
Ever since its formation in the 1970s, MIDAS has had a long history of innovation and leadership in the world of audio mixing consoles. Employed by the most famous touring acts and installations world-wide, legendary MIDAS consoles such as the XL4 and Heritage H3000 quickly became industry standards.

MIDAS has earned their impeccable reputation due to their no-compromise approach for audio and build quality and in particular for their Award-winning products which are considered by industry experts as the industry’s best sounding designs. Building on this legacy, the XL8 and PRO Series of Live Mixing Systems continue this great heritage of Award-winning audio quality.

KLARKTEKNIK is proud to incorporate MIDAS designed transformers for the ultimate in high-quality audio reproduction in both live and studio environments. Find out more about MIDAS’ amazing legacy by visiting their extensive website.

## High Headroom Design

A custom instrumentation-grade input circuit was designed for the DI 10P using advanced analogue design techniques to create the ideal input impedance match. This innovative approach provides an ultra low noise, low harmonic and phase distortion input stage with a ruler-flat frequency response that ranges from 10 Hz to 91 kHz ( $\pm 1$  dB).



## Connectivity & More

DI 10P PRO DI features unbalanced stereo Left & Right RCA and 1/8" TRS Input connectors, and a high quality Neutrik\* Output XLR jack that sends a balanced, summed mono version of the input to your mixing board or other processing device.

DI Boxes

# PRO DI DI 10P

Passive DI Box with Stereo Input /  
Summed Mono Output, MIDAS Transformer  
and Extended Dynamic Range

## Input Controls & Earth Lift Switch

Featuring high-precision Left and Right Level controls, the DI 10P easily accommodates a wide range of input signals. The Earth Lift switch separates the input and output grounds, eliminating earth loops between equipment on different mains electricity supplies. DI 10P's fully transformer-isolated design further ensures pristine performance – even in large-scale production environments.



## Compact & Rugged Construction

The ultra-compact DI 10P is built to handle the rigours of life on the road via a thick and rugged aluminium extrusion that protects the electronics. The enclosure's roadworthiness is further enhanced through the implementation of sturdy rubber corner bumpers.

## Versatility

The DI 10P PRO DI provides maximum versatility thanks to its incredible frequency response of 10 Hz to 91 kHz ( $\pm 1$  dB), a MIDAS custom-design transformer for the ultimate signal integrity, stereo to mono summing, and much more – all in a road-ready enclosure that stands ready for your input.

Visit your local KLARK TEKNIK supplier to try out the DI 10P PRO DI, or get yours online today. Your ears can tell the difference...



DI Boxes

# PRO DI DI 10P

Passive DI Box with Stereo Input /  
Summed Mono Output, MIDAS Transformer  
and Extended Dynamic Range



## You Are Covered

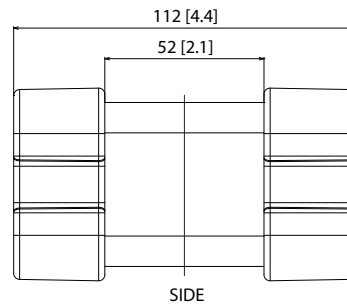
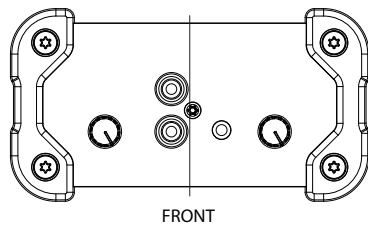
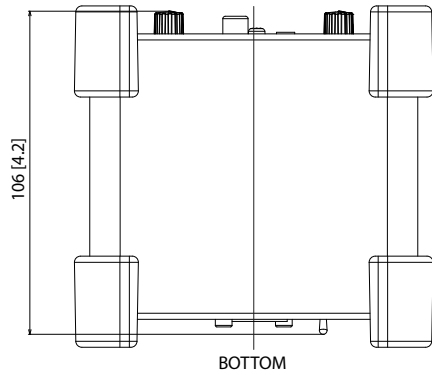
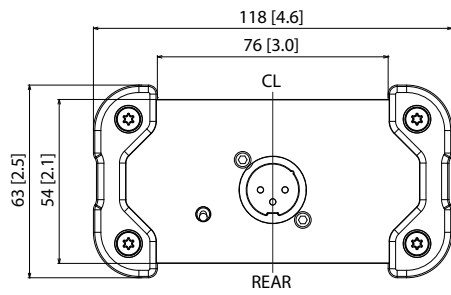
We always strive to provide the best possible Customer Experience. Our products are made in our own [MUSIC Tribe](#) factory using state-of-the-art automation, enhanced production workflows and quality assurance labs with the most sophisticated test equipment available in the world. As a result, we have one of the lowest product failure rates in the industry, and we confidently back it up with a generous [Warranty program](#).

DI Boxes

# PRO DI DI 10P

Passive DI Box with Stereo Input /  
Summed Mono Output, MIDAS Transformer  
and Extended Dynamic Range

## Dimensions



## DI Boxes

# PRO DI DI 10P

Passive DI Box with Stereo Input /  
Summed Mono Output, MIDAS Transformer  
and Extended Dynamic Range

## Technical Specifications

### Inputs

Connectors	RCA unbalanced, 1/8 TRS
------------	-------------------------

Impedance	7 k $\Omega$
-----------	--------------

### Outputs

Connector	XLR, balanced
-----------	---------------

Impedance	170 $\Omega$
-----------	--------------

### System

Frequency response	10 Hz to 91 kHz ( $\pm$ 1 dB)
--------------------	-------------------------------

THD + N (distortion)	<0.03% @ 1 kHz, +4 dBu
----------------------	------------------------

Signal-to-noise ratio	>120 dB @ 1 kHz, +4 dBu
-----------------------	-------------------------

Power requirement	Passive
-------------------	---------

### Physical

Dimensions (WxDxH)	64 x 118 x 112 mm (2.5 x 4.7 x 4.4")
--------------------	--------------------------------------

Weight	0.47 kg (1.0 lbs)
--------	-------------------



DI Boxes

# PRO DI DI 10P

Passive DI Box with Stereo Input /  
Summed Mono Output, MIDAS Transformer  
and Extended Dynamic Range



DI Boxes

# PRO DI DI 10P

Passive DI Box with Stereo Input /  
Summed Mono Output, MIDAS Transformer  
and Extended Dynamic Range



For service, support or more information contact the KLARK TEKNIK location nearest you:

**Europe**  
**MUSIC Tribe Brands UK Ltd.**  
Tel: +44156 273 2290  
Email: CARECrea@music-group.com  
CAREnte@music-group.com  
CARELife@music-group.com

**USA/Canada**  
**MUSIC Tribe Commercial NV Inc.**  
Tel: +1 702 800 8290  
Email: CARECrea@music-group.com  
CAREnte@music-group.com  
CARELife@music-group.com

**Japan**  
**MUSIC Tribe Services JP K.K.**  
Tel: +81 3 6231 0453  
Email: CARECrea@music-group.com  
CAREnte@music-group.com  
CARELife@music-group.com

MUSIC Tribe accepts no liability for any loss which may be suffered by any person who relies either wholly or in part upon any description, photograph, or statement contained herein. Technical specifications, appearances and other information are subject to change without notice. All trademarks are the property of their respective owners. MIDAS, KLARK TEKNIK, LAB GRUPPEN, LAKE, TANNOY, TURBOSOUND, TC ELECTRONIC, TC HELICON, BEHRINGER, BUGERA and COOLAUDIO are trademarks or registered trademarks of MUSIC Tribe Global Brands Ltd. © MUSIC Tribe Global Brands Ltd. 2018 All rights reserved.

**KLARKTEKNIK**