

## Portable Speakers

# EUROLIVE B912NEO

DSP-Controlled 1,260-Watt 12"  
PA Speaker System with  
Neodymium Speakers and  
Integrated Mixer

- High-power 1,260-Watt 2-way PA sound reinforcement speaker system with integrated mixer for live and playback applications
- Ultra-compact and light weight plastic composite material provides excellent sound even at extreme sound pressure levels (speaker weighs only 19 kg / 41 lbs)
- Extremely powerful and light weight 12" neodymium woofer provides incredibly deep bass and acoustic power
- Revolutionary Class-D amplifier technology: enormous power and incredible sonic performance
- State-of-the-art 24-bit digital signal processor for ultimate system control:
  - Digital crossover, phase and time correction for perfect driver alignment plus dual compressor/limiter for total system protection
  - Digital noise gate, low-cut filter, 2-band EQ, dynamic Contour filter for ultimate sound reproduction
- 2 Mic/Line inputs (XLR and ¼" TRS) with individual volume controls and peak LEDs
- State-of-the-art 1.75" titanium-diaphragm neodymium compression driver for exceptional high-frequency reproduction
- Ultra-wide dispersion and large format exponential/conical horn with multi-cell aperture throat
- Additional Line output enables linking of additional speaker systems



The EUROLIVE B912NEO active loudspeaker is exactly what you've come to expect from BEHRINGER – lower weight (41 lbs/19 kg) with massive output power, more features and absolutely more affordability! Our engineers have really outdone themselves, creating a self-contained, digital processor-controlled PA solution that merges 1,260-Watt Class-D power amp technology, an ultra-low noise Mic/Line input section with Volume control, integrated DSP – and exceptional portability. Then we loaded the B912NEO with our best 12" neodymium long-excursion driver for incredibly deep bass, and a state-of-the-art 1.75" titanium-diaphragm neodymium compression driver for exceptional high-frequency reproduction. The B912NEO professional active loudspeaker is destined to become a legend in its own right, alongside the other EUROLIVE models that have made BEHRINGER the world leader in active loudspeakers.



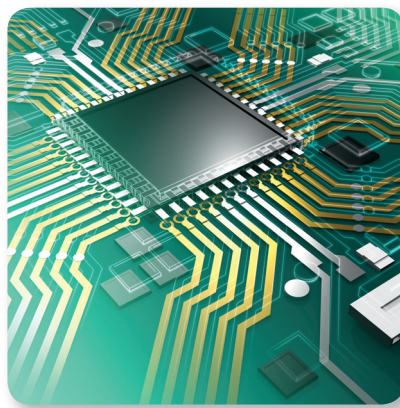
## Portable Speakers

# EUROLIVE

## B912NEO

DSP-Controlled 1,260-Watt 12"  
PA Speaker System with  
Neodymium Speakers and  
Integrated Mixer

- Versatile trapezoidal enclosure design allows different positioning:
  - Stand mounting with 35-mm pole socket
  - Tilts on its side for use as a floor monitor
- Ergonomically shaped handles for easy carrying and setup
- Internal switch-mode power supply for noise-free audio, superior transient response and very low power consumption
- High-quality components and exceptionally rugged construction ensure long life
- 3-Year Warranty Program\*
- Conceived and designed by BEHRINGER Germany

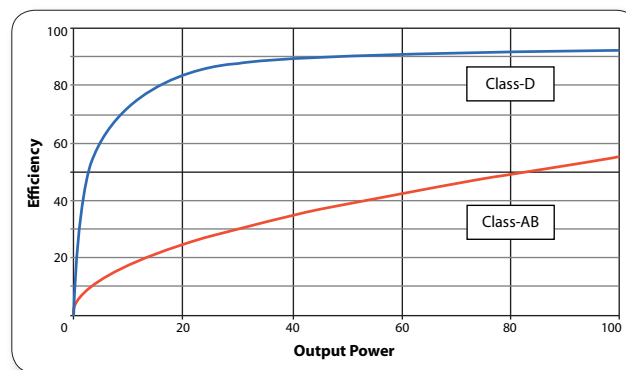


### DSP – the Secret to Superb Sound

From the instant your signal enters the B912NEO, the built-in DSP (Digital Signal Processor) takes over, ensuring the highest possible signal integrity – and we're talking ultra-clean! Much more than just selective EQ enhancement, the B912NEO's 24-bit DSP analyzes the incoming signal and intelligently applies specific filters to actually improve the sound quality. It's like having an audio engineer monitoring the input and output signals of each B912NEO, dialing in the perfect EQ and constantly making subtle adjustments to the crossover, compressor/limiter and more – which all adds up to significantly better sound.

### Class-D - Massive Power, Perfect Sound

Thanks to our revolutionary Class-D amplifier technology, we are able to provide you with enormous power and incredible sonic performance in an easy-to-use, ultra-portable and lightweight package. Class-D amplification makes all the difference, offering the ultimate in energy efficiency and eliminating the need for heavy power supplies and massive heat sinks. This amazing technology makes it possible to design and build extremely powerful products that are significantly lighter in weight than their traditional counterparts, while using less energy and protecting the environment.



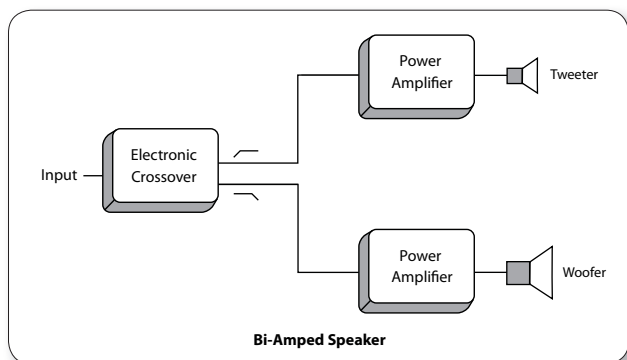
Portable Speakers

# EUROLIVE B912NEO

DSP-Controlled 1,260-Watt 12"  
PA Speaker System with  
Neodymium Speakers and  
Integrated Mixer

## Cut the Fat; Keep the Beef

We drew from our considerable experience to build the B912NEO performance-grade loudspeaker and made it lighter (41 lbs/19 kg) and more powerful. With custom-engineered Class-D power amps for the ultimate in power and efficiency, backed by SMPS (Switch Mode Power Supply) technology – the high-tech alternative to heavy transformers and massive heat sinks – your B912NEO loudspeaker can run cool all day and all night without even breaking a sweat – or your back!



## Bi-Amplification - The Path to Absolute Signal Integrity

With its 1,260 ultra-clean Watts of digital output delivered through separately-powered drivers, courtesy of true bi-amping (2 amplifiers per speaker system), the B912NEO delivers high-resolution sound that really brings out the best in your music. While some of our competitors apply simple passive crossovers, which inaccurately separates the frequency spectrum and degrade driver performance, BEHRINGER has gone the extra mile – driving each woofer and tweeter with a separate amplifier for absolute signal integrity.

## Custom-Engineered Transducers

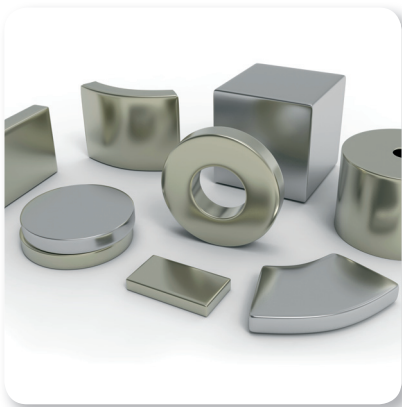
Powerful, high-efficiency Class-D amplifiers and Switch Mode Power Supply technology coupled with state-of-the-art DSP functionality sure sounds impressive – but what about the part of the system you actually hear? Our neodymium LF (Low Frequency) and HF (High Frequency) transducers are designed specifically for each application – it's what sets us apart from the competition. When you buy a BEHRINGER active loudspeaker, you can rest assured that the transducers inside have been engineered to perform flawlessly in conjunction with every other element for truly professional results. The B912NEO cranks out massive quantities of low end, with articulate, detailed mids and crystal-clear highs.



## Portable Speakers

# EUROLIVE B912NEO

DSP-Controlled 1,260-Watt 12"  
PA Speaker System with  
Neodymium Speakers and  
Integrated Mixer



### Why the Neodymium Speakers?

The primary advantage of neodymium, over iron or ceramic magnets, is its much higher magnetic strength-to-weight ratio. Using this rare earth metal allows us to make extremely-powerful LF and HF transducers that are significantly lower in weight. The B912NEO employs this same technology to create a 1,260-Watt active loudspeaker that comes in at just 41 lbs (19 kg), while still maintaining the ultimate in sonic performance – and that's truly a big deal!

### Integrated Mixer

With just a single B912NEO loudspeaker system and one or two dynamic microphones, you can set up an instant sound system. The onboard mixer features a Level control for each input and a 2-band master EQ, complete with an adjustable Low Cut filter to help eliminate breath pops and mic handling noise. An additional filter, which we call Contour allows you to select Speech (for enhanced voice intelligibility), or Music for the broader frequency range required for the high-fidelity reproduction of music. And if you need more coverage, you can chain together as many active loudspeakers as you like – via the convenient Line Out XLR connector.



### Extraordinarily Versatile

Thanks to its trapezoidal shape, the B912NEO is suitable for a wide variety of applications, such as mounting on standard speaker poles, vertical placement atop subwoofers, or even laid on the side for use as onstage monitor wedges. The B912NEO's extraordinary fidelity and frequency response make it a favorite of vocalists and instrumentalists alike. Hookup is simple, requiring only a single XLR or ¼" cable from your mixing console and power. Additional active monitors can be chained together via the XLR Link Output jack on the rear panel.



Portable Speakers

# EUROLIVE B912NEO

DSP-Controlled 1,260-Watt 12"  
PA Speaker System with  
Neodymium Speakers and  
Integrated Mixer

## Which Speaker Should I Buy?

Well, let's start with your application... are you giving a speech in a hotel ballroom – or rocking out at the local bar or dance club? Whether to choose one speaker cabinet over another depends on your bass requirements. A 15" woofer has about 40% more surface area with which to move air than a 12" and that translates into more bass. So if you're addressing a small meeting, or jamming at the coffee house, the B912NEO might be all you'll ever need. But if you're providing disco in a busy nightclub, hosting Karaoke night in your living room, or just need to crank it up louder, then the B815NEO may be a better choice.



## Sound Value

The EUROLIVE B912NEO active PA loudspeaker stands head and shoulders above the rest of the pack and delivers exceptional performance, even when pushed to the limit. Ultra-lightweight and powerful, with custom-designed transducers, an integrated mixer, massive 1,260 Watts of Class-D output power and unparalleled DSP control, the B912NEO active loudspeaker is ideal for any application – at a price that is unheard of in this class.

Experience the B912NEO at your local dealer today and find out why more and more professionals are turning to BEHRINGER EUROLIVE active loudspeakers for their superb performance and extraordinary value.

## You Are Covered

We always strive to provide the best possible Customer Experience. Our products are made in our own MUSIC Group factory using state-of-the-art automation, enhanced production workflows and quality assurance labs with the most sophisticated test equipment available in the world. As a result, we have one of the lowest product failure rates in the industry, and we confidently back it up with a generous 3-Year Warranty program.



Portable Speakers

# EUROLIVE B912NEO

DSP-Controlled 1,260-Watt 12"  
PA Speaker System with  
Neodymium Speakers and  
Integrated Mixer



Portable Speakers

# EUROLIVE B912NEO

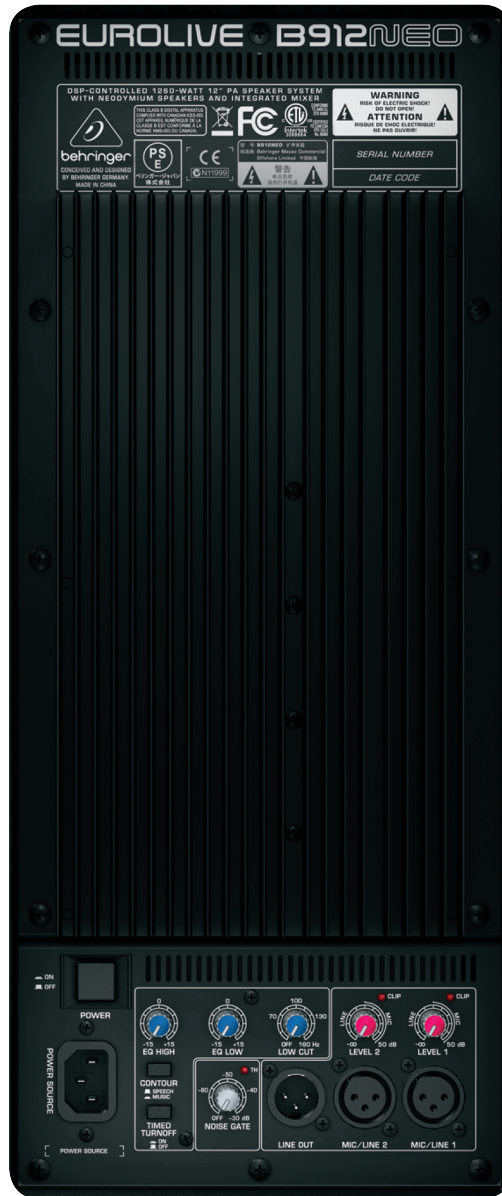
DSP-Controlled 1,260-Watt 12"  
PA Speaker System with  
Neodymium Speakers and  
Integrated Mixer



Portable Speakers

# EUROLIVE B912NEO

DSP-Controlled 1,260-Watt 12"  
PA Speaker System with  
Neodymium Speakers and  
Integrated Mixer



For service, support or more information contact the BEHRINGER location nearest you:

**Europe**  
**MUSIC Group Services UK**  
Tel: +44 156 273 2290  
Email: CARE@music-group.com

**USA/Canada**  
**MUSIC Group Services NV Inc.**  
Tel: +1 702 800 8290  
Email: CARE@music-group.com

**Japan**  
**MUSIC Group Services JP K.K.**  
Tel: +81 3 6231 0454  
Email: CARE@music-group.com

MUSIC Group accepts no liability for any loss which may be suffered by any person who relies either wholly or in part upon any description, photograph, or statement contained herein. Technical specifications, appearances and other information are subject to change without notice. All trademarks are the property of their respective owners. MIDAS, KLARK TEKNIK, TURBOSOUND, BEHRINGER, BUGERA and DDA are trademarks or registered trademarks of MUSIC Group IP Ltd. © MUSIC Group IP Ltd. 2014 All rights reserved.

