

Install

IMPACT

TCI52-T-WH

Pair of 2 Way 5" Full Range
Loudspeakers with Line Transformers
for Installation Applications (White)

- Pair of compact 2 way full range surface-mount loudspeakers for installation applications
- 60 Watts continuous, 240 Watts peak power
- High excursion 5" low frequency driver with high temperature voice coil
- 1" ferrofluid cooled neodymium high frequency driver
- Multiple transformer taps for 70 V and 100 V line systems or 16 Ohm direct input
- Proprietary elliptical waveguide provides wide 100° H x 70° V dispersion
- Wall-mount bracket with integral loudspeaker connections included
- Architecturally styled glass filled impact resistant enclosure
- Semi matt white finish fits unobtrusively in any environment
- 2 x M6 rigging points compatible with TURBOSOUND and OmniMount* brackets
- 3/8" mic stand fitting for spot monitor applications
- 10-Year Warranty Program*
- Designed and engineered in the U.K.

Shipped in pairs, the ultra-compact IMPACT TCI52-T-WH is a passive two way surface-mount loudspeaker that is ideally suited for a wide range of installed speech and music applications. With a power handling capacity of 240 Watts, the system consists of a high excursion 5" low frequency driver with a high temperature voice coil, and a 1" neodymium ferro-fluid cooled high frequency driver mated to a proprietary elliptical waveguide – for a wide 100° horizontal by 70° vertical dispersion pattern.



Custom-Engineered Drivers

TURBOSOUND is recognised the world over for designing and building some of the most iconic loudspeakers and subwoofers in the industry. We take meticulous care and pride in maintaining that reputation by utilising only drivers designed specifically for each application – it's what sets us apart from the competition. The custom designed high excursion 5" low frequency and 1" neodymium high frequency drivers ensure truly world-class performance that will deftly stand the test of time.

Install

IMPACT

TCI52-T-WH

Pair of 2 Way 5" Full Range
Loudspeakers with Line Transformers
for Installation Applications (White)

Internal Transformer

The TCI52-T-WH includes an internal line transformer with multiple taps for use in 70 and 100 Volt line distributed sound applications, as well as a direct 16 Ohm input for use with low-impedance amplifiers. Taps are provided at 60, 30, and 15 Watts on the 100 V line; 60, 30, 15, and 7.5 Watts on the 70 V line.

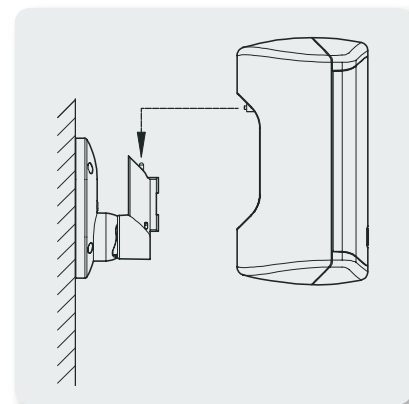


Discreet Implementation

When permanently installed, the architecturally styled, glass filled and impact resistant TCI52-T-WH enclosure sports a classic semi matt white finish, which allows it to fit unobtrusively and elegantly into any environment. The included integral wall mounting bracket provides hidden cable management, completing the seamless visual presentation.

Installation and Connectivity

The TCI52-T-WH is supplied with an adjustable wall mounting bracket that also provides the loudspeaker connections, allowing the brackets alone to be sited, installed, and wired in the early stages of building construction or remodelling – making final installation a greatly simplified and cost effective process. Threaded internal M6 rigging points are also provided for installation with **TURBOSOUND** wall and ceiling hardware, as well as industry standard brackets. A convenient $\frac{3}{8}$ " mic stand fitting, hidden under the EPDM rubber cover on the bottom of the cabinet, allows affixing the TCI52-T-WH to a standard microphone stand for use as a 'spot monitor'.



Install

IMPACT

TCI52-T-WH

Pair of 2 Way 5" Full Range
Loudspeakers with Line Transformers
for Installation Applications (White)



You Are Covered

We always strive to provide the best possible Customer Experience. Our products are made in our own [MUSIC Tribe](#) factory using state-of-the-art automation, enhanced production workflows and quality assurance labs with the most sophisticated test equipment available in the world. As a result, we have one of the lowest product failure rates in the industry, and we confidently back it up with a generous [Warranty program](#).

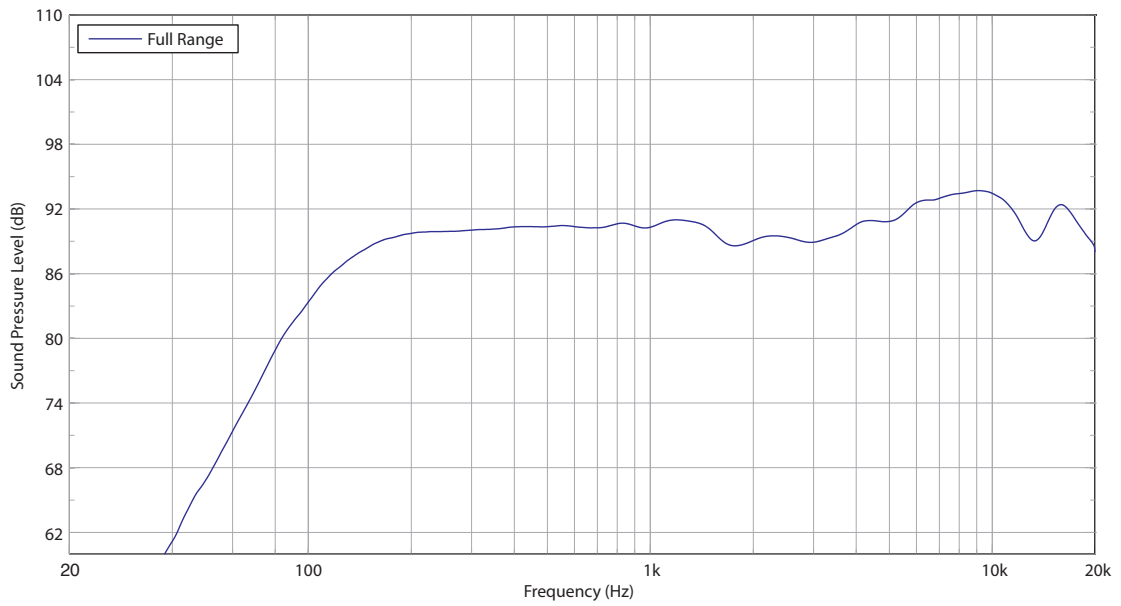
Install

IMPACT

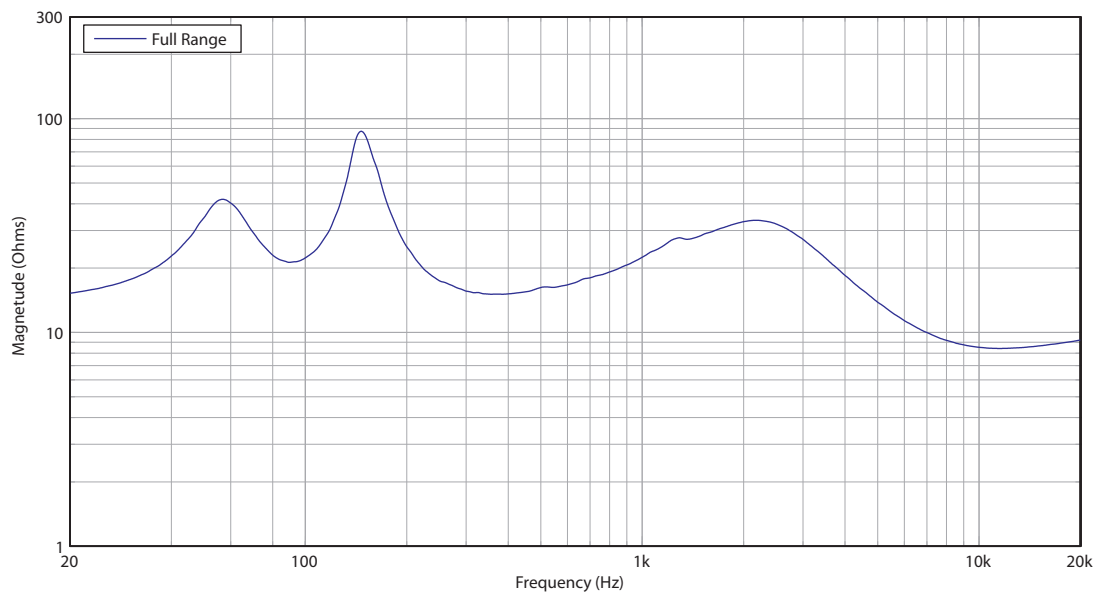
TCI52-T-WH

Pair of 2 Way 5" Full Range
Loudspeakers with Line Transformers
for Installation Applications (White)

Frequency Response Sensitivity 1 W / 1 m



Impedance



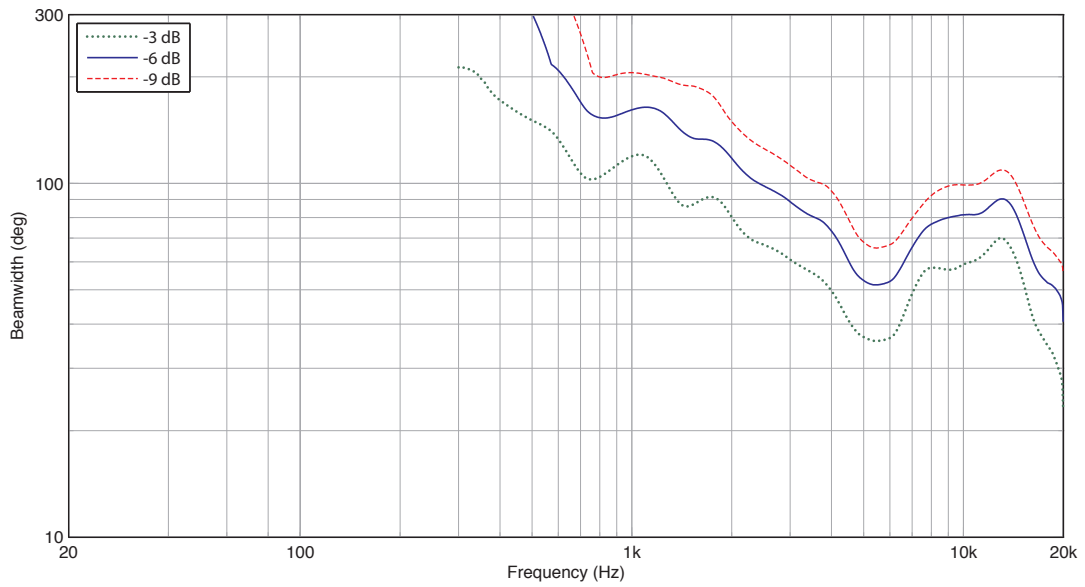
Install

IMPACT

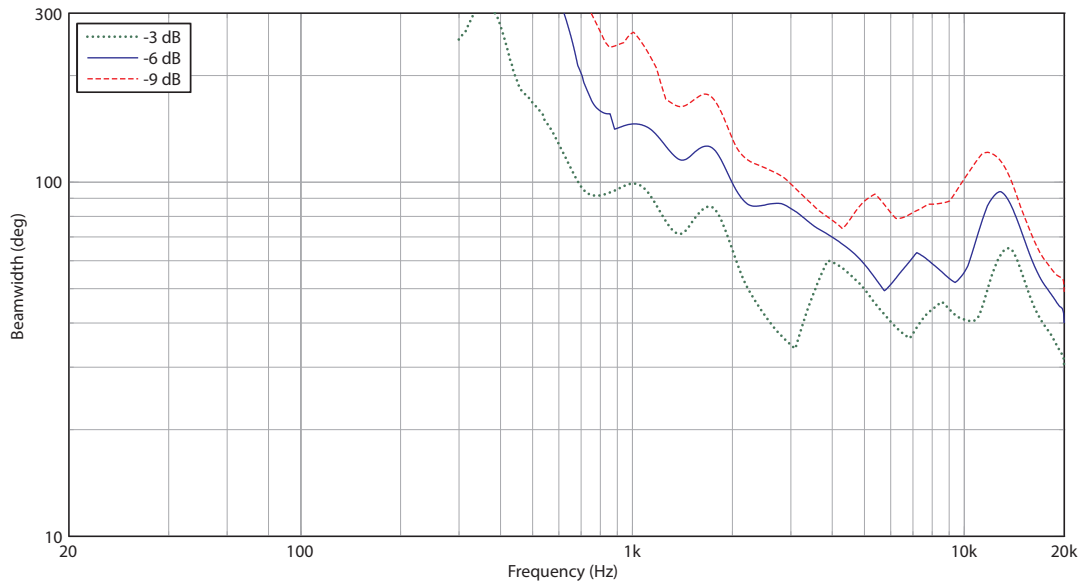
TCI52-T-WH

Pair of 2 Way 5" Full Range
Loudspeakers with Line Transformers
for Installation Applications (White)

Horizontal Beamwidth



Vertical Beamwidth

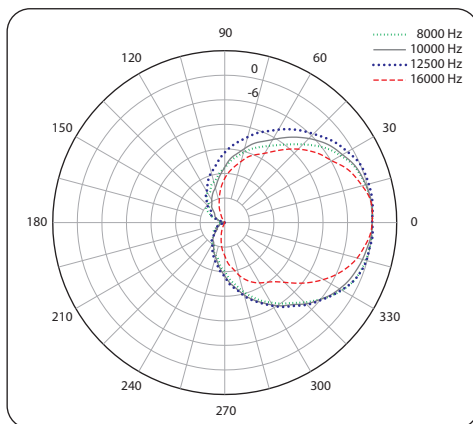
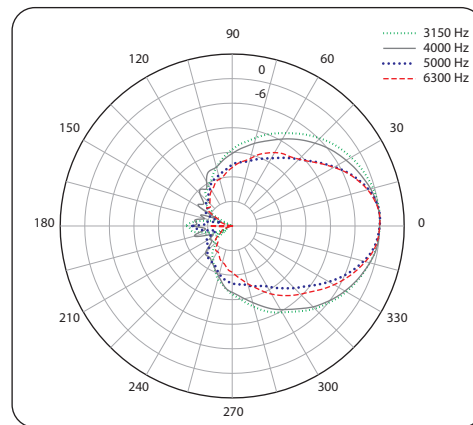
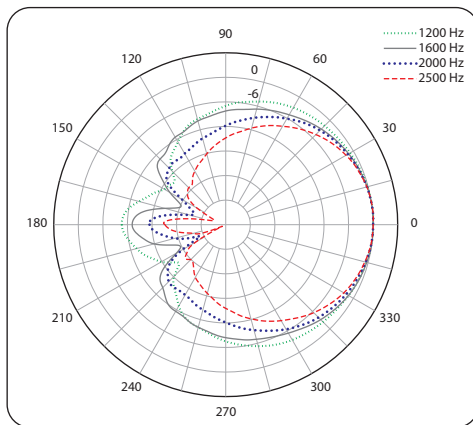
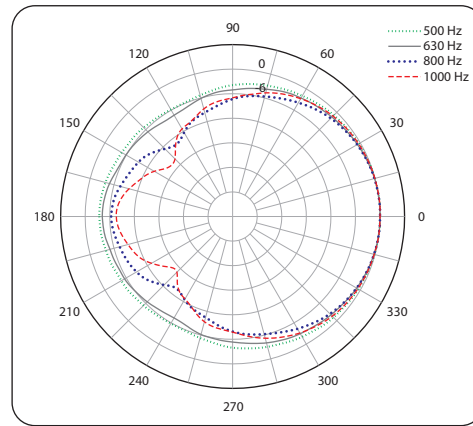
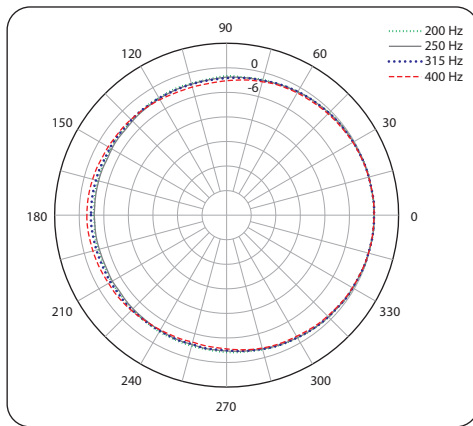


Install

IMPACT TCI52-T-WH

Pair of 2 Way 5" Full Range
Loudspeakers with Line Transformers
for Installation Applications (White)

Horizontal Polar Plots

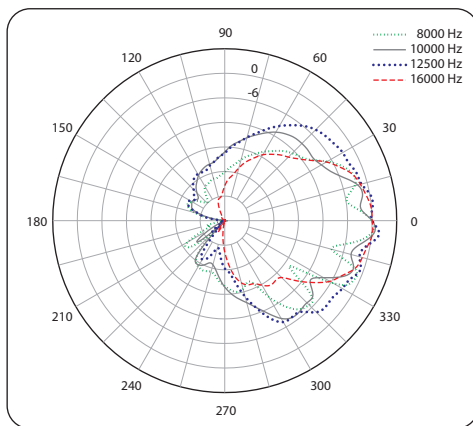
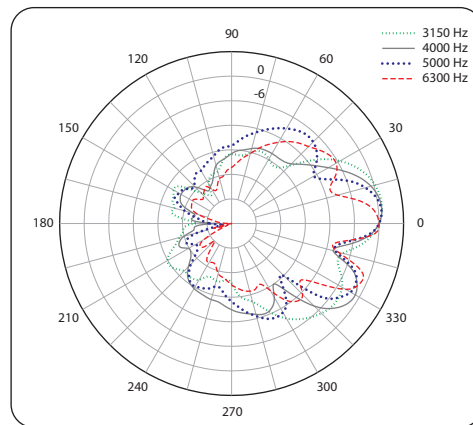
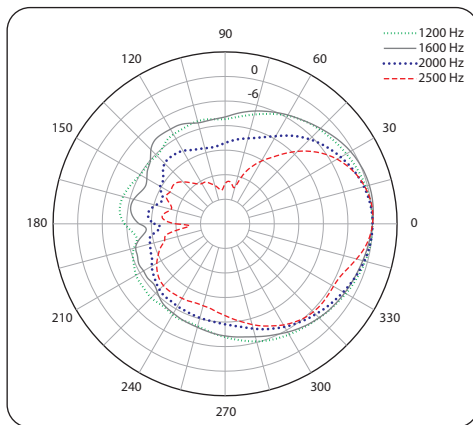
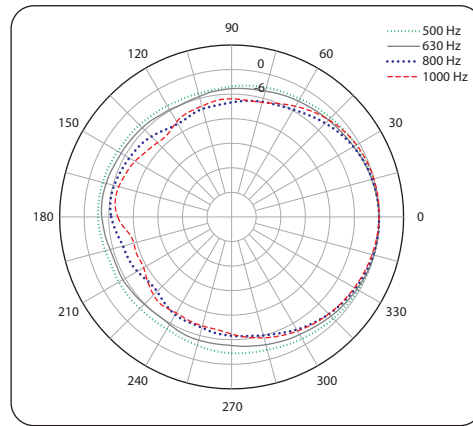
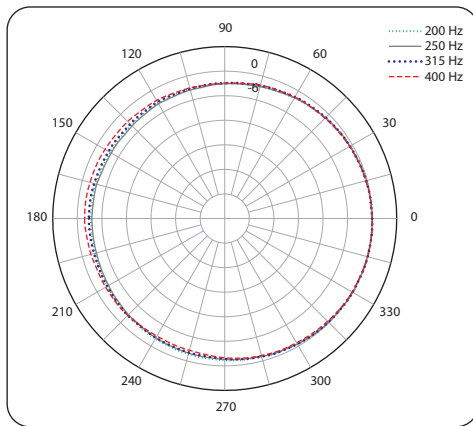


Install

IMPACT TCI52-T-WH

Pair of 2 Way 5" Full Range
Loudspeakers with Line Transformers
for Installation Applications (White)

Vertical Polar Plots



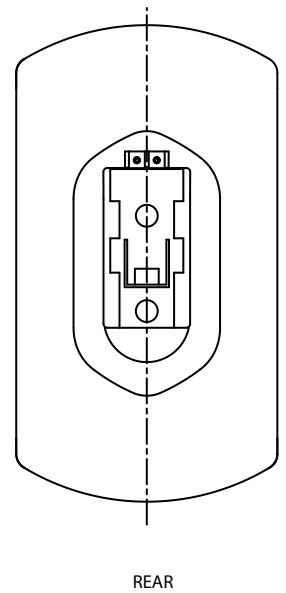
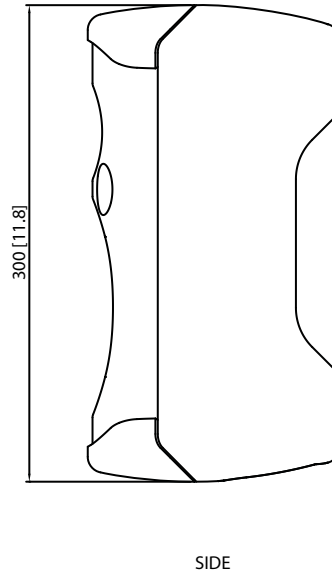
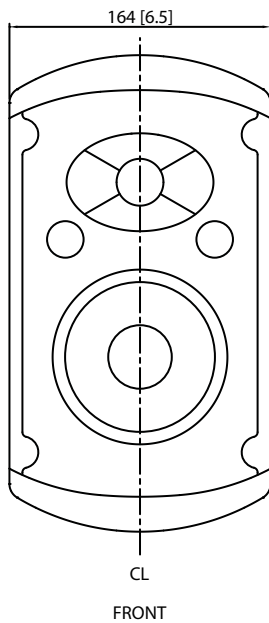
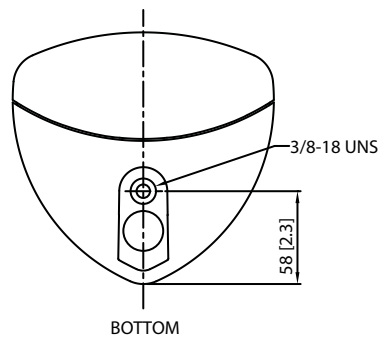
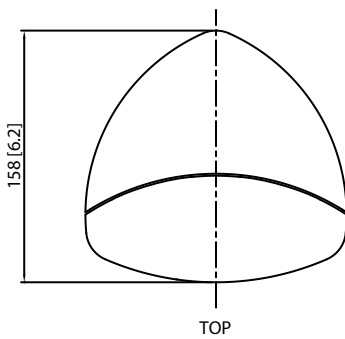
Install

IMPACT

TCI52-T-WH

Pair of 2 Way 5" Full Range
Loudspeakers with Line Transformers
for Installation Applications (White)

Dimensions



Install

IMPACT

TCI52-T-WH

Pair of 2 Way 5" Full Range
Loudspeakers with Line Transformers
for Installation Applications (White)

Technical Specifications

System

Frequency response	74 Hz - 20 kHz \pm 3 dB 43 Hz - 20 kHz -10 dB
Nominal dispersion	100° H x 70° V @ -6 dB points
Power handling (IEC)	
Passive	60 W continuous, 240 W peak
100 V line	60, 30, 15 W continuous
70 V line	60, 30, 15, 7.5, 3.75 W continuous
Sensitivity	90 dB (1 W @ 1 m)
Maximum SPL	
Passive	108 dB continuous, 114 dB peak
100 V line	114, 111, 108 dB peak
70 V line	114, 111, 108, 105 dB peak
Impedance	16 Ω
Components	1 x 5" (127 mm) LF driver 1 x 1" (25 mm) HF soft dome driver

Enclosure

Connectors	Screw terminal block
Wiring	Input +VE, -VE
Dimensions HWD	300 x 164 x 158 mm (11.8 x 6.5 x 6.2")
Net weight	3.5 kg (7.7 lbs)
Construction	Gas injected, glass-filled moulded ABS enclosure
Finish	White (black optional)
Grille	Powder coated perforated steel
Flying hardware	M6 x 2 points

Accessories

Wall bracket - included

Install

IMPACT TCI52-T-WH

Pair of 2 Way 5" Full Range
Loudspeakers with Line Transformers
for Installation Applications (White)

Architecture & Engineering Specifications

The system shall be of the passive two-way type consisting of one 5" (127 mm) low frequency driver and one 1" (25 mm) ferro-fluid cooled neodymium high frequency tweeter with integral line transformer and shall be supplied with an adjustable wall bracket providing integral electrical connections. Performance specifications of a typical production unit shall meet or exceed the following: Frequency response, measured with swept sine wave input, shall be flat within ± 3 dB from 74 Hz to 20 kHz, and within -10 dB from 43 Hz to 20 kHz. Nominal dispersion, at -6 dB points, shall average 100° H x 70° V. Nominal impedance shall be 16 ohms. Power handling shall be 60 watts continuous, 240 Watts peak. Sensitivity, measured with 1 Watt input at 1 metre distance on axis, mean averaged over stated bandwidth shall be 90 dB. Maximum SPL (peak) measured with music program input at stated amplifier power shall be 114 dB. Dimensions: 300 mm high x 164 mm wide x 158 mm deep (11.8" x 6.5" x 6.2"). Net weight: 3.5 kg (7.7 lbs). The loudspeaker system shall be the **TURBOSOUND IMPACT TCI52-T-WH**. No other loudspeaker shall be acceptable unless submitted data from an independent test laboratory verifies that the above combined performance / size specifications are equalled or exceeded.

Install

IMPACT TCI52-T-WH

Pair of 2 Way 5" Full Range
Loudspeakers with Line Transformers
for Installation Applications (White)



Install

IMPACT

TCI52-T-WH

Pair of 2 Way 5" Full Range
Loudspeakers with Line Transformers
for Installation Applications (White)



Install

IMPACT TCI52-T-WH

Pair of 2 Way 5" Full Range
Loudspeakers with Line Transformers
for Installation Applications (White)



For service, support or more information contact the TURBOSOUND location nearest you:

Europe
MUSIC Tribe Brands UK Ltd.
Tel: +44156 273 2290
Email: CARECrea@music-group.com
CAREEnte@music-group.com
CARELife@music-group.com

USA/Canada
MUSIC Tribe Commercial NV Inc.
Tel: +1 702.800 8290
Email: CARECrea@music-group.com
CAREEnte@music-group.com
CARELife@music-group.com

Japan
MUSIC Tribe Services JP K.K.
Tel: +81 3 6231 0453
Email: CARECrea@music-group.com
CAREEnte@music-group.com
CARELife@music-group.com

MUSIC Tribe accepts no liability for any loss which may be suffered by any person who relies either wholly or in part upon any description, photograph, or statement contained herein. Technical specifications, appearances and other information are subject to change without notice. All trademarks are the property of their respective owners. MIDAS, KLARK TEKNIK, LAB GRUPPEN, LAKE, TANNØY, TURBOSOUND, TC ELECTRONIC, TC HELICON, BEHRINGER, BUGERA and COOLAUDIO are trademarks or registered trademarks of MUSIC Group IP Ltd. © MUSIC Group IP Ltd. 2018 All rights reserved.